

# SAF SERIES

## Hazardous Location Induction Luminaire

- Class I, Division 2, Groups A, B, C & D
- Class II, Division 1 Groups E, F & G
- Class III
- Zone 2, Groups IIA, IIB & IIC
- UL 844 Hazardous Locations
- UL 1598 Wet Locations
- UL 1598A Marine Outside Type
- NEMA 3R & 4X
- IP66
- CSA
- Enclosed & Gasketed



**AZZ | R-A-L™**  
**RIG-A-LITE**

# SAF SERIES

## Hazardous Location Induction Luminaire

All external hardware is stainless steel. Stainless steel inserts are available as an option.

Ballast housing and outlet boxes are high strength, corrosion resistant copper-free cast aluminum alloy.

Superior heat resistant silicone o-ring gasket makes fixture for installation indoors or outdoors. Other materials available.

All exterior surfaces are covered with corrosion and chemical resistant baked epoxy.

Heat-resistant tempered prismatic glass globe is standard and is suitable for hose down applications.

Stainless steel guard provides protection for the globe.



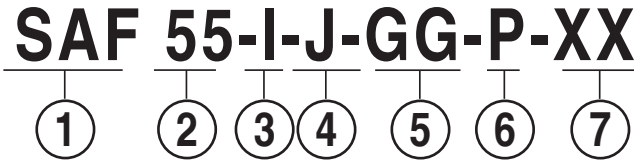
Reliable QL Induction System provides up to 100,000 hour lamp life with a CRI of 80.

Lamps included

# INDUCTION SAF Series

Hazardous Locations • Class I, Division 2 • Class II • Class III • UL 1598, 1598A, 844 • Wet Locations • CSA

## Catalog Number Logic



- 1 BASIC SERIES**  
SAF/SAFR Hazardous Location Induction  
Class I, Division 2, Groups A, B, C & D  
Class II, Division 1, Groups E, F & G  
Class III  
Zone 2, Groups IIA, IIB & IIC  
Enclosed and Gasketed  
Wet Locations  
NEMA 3R, 4X; IP66  
UL 1598, 1598A & 844  
CSA
- 2 LAMP CURRENT/LAMP WATTAGE**  
55 = 55 Watts (SAF/SAFR)  
85 = 85 Watts (SAFR)  
165 = 165 Watts (SAF/SAFR)
- 3 LAMP TYPE**  
I = Induction
- 4 SYSTEM VOLTAGE**  
J = 100 thru 120V 50/60HZ  
K = 200 thru 277V 50/60HZ
- 5 GLOBE & GUARD**  
GG = Globe & Guard  
G = Globe Only  
R2 = Type II (Asymmetric)  
Closed Bottom Glass Refractor  
R3 = Type III (Asymmetric)  
Closed Bottom Glass Refractor  
R5 = Type V (Symmetric)  
Closed Bottom Glass Refractor  
R2G = Type II (Asymmetric)  
Closed Bottom Glass Refractor with Guard  
R3G = Type III (Asymmetric)  
Closed Bottom Glass Refractor with Guard  
R5G = Type V (Symmetric)  
Closed Bottom Glass Refractor with Guard  
T1 = Type I (Asymmetric)  
Closed Bottom Threaded Glass Refractor  
T3 = Type III (Asymmetric)  
Closed Bottom Threaded Glass Refractor  
T5 = Type V (Symmetric)  
Closed Bottom Threaded Glass Refractor  
T1G = Type I (Asymmetric) Closed Bottom Threaded  
Glass Refractor with Guard  
T3G = Type III (Asymmetric) Closed Bottom Threaded  
Glass Refractor with Guard  
T5G = Type V (Symmetric) Closed Bottom Threaded  
Glass Refractor with Guard
- 6 MOUNTING STYLE**  
P = 3/4" Pendant Mount  
P1 = 1" Pendant Mount  
C = 3/4" Ceiling Mount  
C1 = 1" Ceiling Mount  
W = 3/4" Wall Mount  
W1 = 1" Wall Mount  
S = 1-1/4" 25° Stanchion Mount  
S1 = 1-1/2" 25° Stanchion Mount  
L = 1-1/2" 90° Stanchion Mount  
L1 = 1-1/2" 90° Stanchion Mount  
K = 3/4" Cone Top  
K1 = 1" Cone Top
- 7 OPTIONS<sup>1</sup>**  
SS = Stainless Steel Inserts (304)  
FB1 = Single Fuse Block  
(fuse not included)  
FB2 = Double Fuse Block  
(fuse not included)  
SC = Safety Cable

<sup>1</sup> Consult factory for pricing.

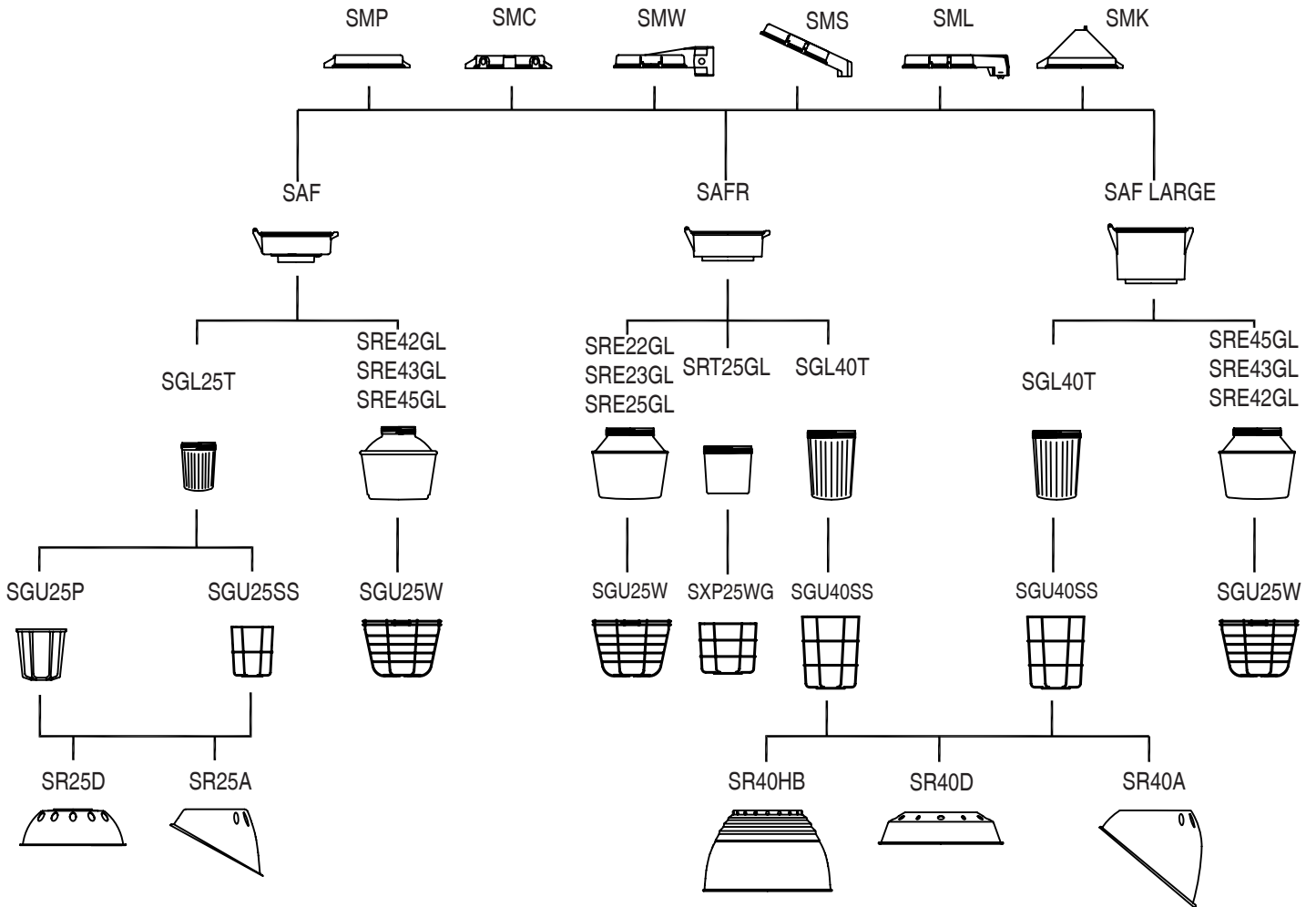
## Certification Guide

Model	Ambient Temperature °C	Lamp		Class I, Division 2 Groups A, B, C, D	Class II, Division 1, Groups E, F, G Class III	Simultaneous Presence Class I, Div. 2, Class II, Div. 1
		Type	Watts			
SAF55I, SAFR55I	40	Induction	55	T3	T4A	T3
SAF55I, SAFR55I	55	Induction	55	T3	T4A	T3
SAFR85I	40	Induction	85	T2B	T5	T2B
SAF165I	40	Induction	165	T2B	T4	T2B

Refer to Certification Guide to determine suitability of individual fixture.  
Catalog logic is for explaining catalog number structure only. Only combinations listed are possible.

# INDUCTION SAF Series

Hazardous Locations • Class I, Division 2 • Class II • Class III • UL 1598, 1598A, 844 • Wet Locations • CSA



★Refer to Certification Guide to determine suitability of individual fixture.

# INDUCTION

## SAF Series

Hazardous Locations • Class I, Division 2 • Class II • Class III • UL 1598, 1598A, 844 • Wet Locations • CSA

### Globe and Guard- 55 Watt

(Lamps included)

Mounting Style	Conduit Size (in.)	Typical Voltage*	Catalog Number	Shipping Weight (lbs.)	CONSISTS OF			
					Ballast Housing	Outlet Box	Globe	Guard
<b>RIGID PENDANT</b> 	3/4 1	100-120V	SAF55-I-J-GG-P	18.2	SAF55IJ	SMP	SGL25T	SGU25P
			SAF55-I-J-GG-P1	18.2	SAF55IJ	SMP1	SGL25T	SGU25P
	3/4 1	200-277V	SAF55-I-K-GG-P	18.2	SAF55IK	SMP	SGL25T	SGU25P
			SAF55-I-K-GG-P1	18.2	SAF55IK	SMP1	SGL25T	SGU25P
<b>CEILING MOUNT</b> 	3/4 1	100-120V	SAF55-I-J-GG-C	19.0	SAF55IJ	SMC	SGL25T	SGU25P
			SAF55-I-J-GG-C1	19.0	SAF55IJ	SMC1	SGL25T	SGU25P
	3/4 1	200-277V	SAF55-I-K-GG-C	19.0	SAF55IK	SMC	SGL25T	SGU25P
			SAF55-I-K-GG-C1	19.0	SAF55IK	SMC1	SGL25T	SGU25P
<b>WALL MOUNT</b> 	3/4 1	100-120V	SAF55-I-J-GG-W	22.7	SAF55IJ	SMW	SGL25T	SGU25P
			SAF55-I-J-GG-W1	22.7	SAF55IJ	SMW1	SGL25T	SGU25P
	3/4 1	200-277V	SAF55-I-K-GG-W	22.7	SAF55IK	SMW	SGL25T	SGU25P
			SAF55-I-K-GG-W1	22.7	SAF55IK	SMW1	SGL25T	SGU25P
<b>25° STANCHION MOUNT</b> 	3/4 1	100-120V	SAF55-I-J-GG-S	20.8	SAF55IJ	SMS	SGL25T	SGU25P
			SAF55-I-J-GG-S1	20.8	SAF55IJ	SMS1	SGL25T	SGU25P
	3/4 1	200-277V	SAF55-I-K-GG-S	20.8	SAF55IK	SMS	SGL25T	SGU25P
			SAF55-I-K-GG-S1	20.8	SAF55IK	SMS1	SGL25T	SGU25P
<b>90° STANCHION MOUNT</b> 	3/4 1	100-120V	SAF55-I-J-GG-L	20.8	SAF55IJ	SML	SGL25T	SGU25P
			SAF55-I-J-GG-L1	20.8	SAF55IJ	SML1	SGL25T	SGU25P
	3/4 1	200-277V	SAF55-I-K-GG-L	20.8	SAF55IK	SML	SGL25T	SGU25P
			SAF55-I-K-GG-L1	20.8	SAF55IK	SML1	SGL25T	SGU25P






\*50/60 HZ

# INDUCTION SAF Series

Hazardous Locations • Class I, Division 2 • Class II • Class III • UL 1598, 1598A, 844 • Wet Locations • CSA

## Refractor and Guard- 55 Watt

(Lamps Included)

Mounting Style	Conduit Size (in.)	Typical Voltage*	Catalog Number	Shipping Weight (lbs.)	CONSISTS OF			
					Ballast Housing	Outlet Box	Refractor	Guard
<b>RIGID PENDANT</b> 	3/4 1	100-120V	<b>SAF55-I-J-R5-G-P</b> <b>SAF55-I-J-R5-G-P1</b>	28.1 28.1	SAF55IJ SAF55IJ	SMP SMP1	SRE25GL SRE25GL	SGU25W SGU25W
		200-277V	<b>SAF55-I-K-R5-G-P</b> <b>SAF55-I-K-R5-G-P1</b>	28.1 28.1	SAF55IK SAF55IK	SMP SMP1	SRE25GL SRE25GL	SGU25W SGU25W
<b>CEILING MOUNT</b> 	3/4 1	100-120V	<b>SAF55-I-J-R5-G-C</b> <b>SAF55-I-J-R5-G-C1</b>	28.9 28.9	SAF55IJ SAF55IJ	SMC SMC1	SRE25GL SRE25GL	SGU25W SGU25W
		200-277V	<b>SAF55-I-K-R5-G-C</b> <b>SAF55-I-K-R5-G-C1</b>	28.9 28.9	SAF55IK SAF55IK	SMC SMC1	SRE25GL SRE25GL	SGU25W SGU25W
<b>WALL MOUNT</b> 	3/4 1	100-120V	<b>SAF55-I-J-R5-G-W</b> <b>SAF55-I-J-R5-G-W1</b>	32.6 32.6	SAF55IJ SAF55IJ	SMW SMW1	SRE25GL SRE25GL	SGU25W SGU25W
		200-277V	<b>SAF55-I-K-R5-G-W</b> <b>SAF55-I-K-R5-G-W1</b>	32.6 32.6	SAF55IK SAF55IK	SMW SMW1	SRE25GL SRE25GL	SGU25W SGU25W
<b>25° STANCHION MOUNT</b> 	3/4 1	100-120V	<b>SAF55-I-J-R5-G-S</b> <b>SAF55-I-J-R5-G-S1</b>	30.7 30.7	SAF55IJ SAF55IJ	SMS SMS1	SRE25GL SRE25GL	SGU25W SGU25W
		200-277V	<b>SAF55-I-K-R5-G-S</b> <b>SAF55-I-K-R5-G-S1</b>	30.7 30.7	SAF55IK SAF55IK	SMS SMS1	SRE25GL SRE25GL	SGU25W SGU25W
<b>90° STANCHION MOUNT</b> 	3/4 1	100-120V	<b>SAF55-I-J-R5-G-L</b> <b>SAF55-I-J-R5-G-L1</b>	30.7 30.7	SAF55IJ SAF55IJ	SML SML1	SRE25GL SRE25GL	SGU25W SGU25W
		200-277V	<b>SAF55-I-K-R5-G-S</b> <b>SAF55-I-K-R5-G-S1</b>	30.7 30.7	SAF55IK SAF55IK	SML SML1	SRE25GL SRE25GL	SGU25W SGU25W

\*50/60 HZ

# INDUCTION

## SAF Series

Hazardous Locations • Class I, Division 2 • Class II • Class III • UL 1598, 1598A, 844 • Wet Locations • CSA

### Threaded Refractor and Guard- 55 Watt

(Lamps Included)

Mounting Style	Conduit Size (in.)	Typical Voltage*	Catalog Number	Shipping Weight (lbs.)	CONSISTS OF			
					Ballast Housing	Outlet Box	Refractor	Guard
<b>RIGID PENDANT</b> 	3/4 1	100-120V	<b>SAFR55-I-J-T5-G-P</b> <b>SAF55-I-J-T5-G-P1</b>	26.9 26.9	SAFR55IJ SAFR55IJ	SMP SMP1	SRT25GL SRT25GL	SXP25WG SXP25WG
	3/4 1	200-277V	<b>SAFR55-I-K-T5-G-P</b> <b>SAF55-I-K-T5-G-P1</b>	26.9 26.9	SAFR55IK SAFR55IK	SMP SMP1	SRT25GL SRT25GL	SXP25WG SXP25WG
<b>CEILING MOUNT</b> 	3/4 1	100-120V	<b>SAFR55-I-J-T5-G-C</b> <b>SAF55-I-J-T5-G-C1</b>	27.7 27.7	SAFR55IJ SAFR55IJ	SMC SMC1	SRT25GL SRT25GL	SXP25WG SXP25WG
	3/4 1	200-277V	<b>SAFR55-I-K-T5-G-C</b> <b>SAF55-I-K-T5-G-C1</b>	27.7 27.7	SAFR55IK SAFR55IK	SMC SMC1	SRT25GL SRT25GL	SXP25WG SXP25WG
<b>WALL MOUNT</b> 	3/4 1	100-120V	<b>SAFR55-I-J-T5-G-W</b> <b>SAF55-I-J-T5-G-W1</b>	31.4 31.4	SAFR55IJ SAFR55IJ	SMW SMW1	SRT25GL SRT25GL	SXP25WG SXP25WG
	3/4 1	200-277V	<b>SAFR55-I-K-T5-G-W</b> <b>SAF55-I-K-T5-G-W1</b>	31.4 31.4	SAFR55IK SAFR55IK	SMW SMW1	SRT25GL SRT25GL	SXP25WG SXP25WG
<b>25° STANCHION MOUNT</b> 	3/4 1	100-120V	<b>SAFR55-I-J-T5-G-S</b> <b>SAF55-I-J-T5-G-S1</b>	29.5 29.5	SAFR55IJ SAFR55IJ	SMS SMS1	SRT25GL SRT25GL	SXP25WG SXP25WG
	3/4 1	200-277V	<b>SAFR55-I-K-T5-G-S</b> <b>SAF55-I-K-T5-G-S1</b>	29.5 29.5	SAFR55IK SAFR55IK	SMS SMS1	SRT25GL SRT25GL	SXP25WG SXP25WG
<b>90° STANCHION MOUNT</b> 	3/4 1	100-120V	<b>SAFR55-I-J-T5-G-L</b> <b>SAF55-I-J-T5-G-L1</b>	29.5 29.5	SAFR55IJ SAFR55IJ	SML SML1	SRT25GL SRT25GL	SXP25WG SXP25WG
	3/4 1	200-277V	<b>SAFR55-I-K-T5-G-L</b> <b>SAF55-I-K-T5-G-L1</b>	29.5 29.5	SAFR55IK SAFR55IK	SML SML1	SRT25GL SRT25GL	SXP25WG SXP25WG

\*50/60 HZ








# INDUCTION

## SAF Series

Hazardous Locations • Class I, Division 2 • Class II • Class III • UL 1598, 1598A, 844 • Wet Locations • CSA

### Globe and Guard- 85 Watt

(Lamps included)

Mounting Style	Conduit Size (in.)	Typical Voltage*	Catalog Number	Shipping Weight (lbs.)	CONSISTS OF			
					Ballast Housing	Outlet Box	Globe	Guard
<b>RIGID PENDANT</b> 	3/4 1	100-120V	SAFR85-I-J-GG-P SAFR85-I-J-GG-P1	30.3 30.3	SAFR85IJ SAFR85IJ	SMP SMP1	SGL40T SGL40T	SGU40SS SGU40SS
		200-277V	SAFR85-I-K-GG-P SAFR85-I-K-GG-P1	30.3 30.3	SAFR85IK SAFR85IK	SMP SMP1	SGL40T SGL40T	SGU40SS SGU40SS
<b>CEILING MOUNT</b> 	3/4 1	100-120V	SAFR85-I-J-GG-C SAFR85-I-J-GG-C1	31.1 31.1	SAFR85IJ SAFR85IJ	SMC SMC1	SGL40T SGL40T	SGU40SS SGU40SS
		200-277V	SAFR85-I-K-GG-C SAFR85-I-K-GG-C1	31.1 31.1	SAFR85IK SAFR85IK	SMC SMC1	SGL40T SGL40T	SGU40SS SGU40SS
<b>WALL MOUNT</b> 	3/4 1	100-120V	SAFR85-I-J-GG-W SAFR85-I-J-GG-W1	34.8 34.8	SAFR85IJ SAFR85IJ	SMW SMW1	SGL40T SGL40T	SGU40SS SGU40SS
		200-277V	SAFR85-I-K-GG-W SAFR85-I-K-GG-W1	34.8 34.8	SAFR85IK SAFR85IK	SMW SMW1	SGL40T SGL40T	SGU40SS SGU40SS
<b>25° STANCHION MOUNT</b> 	3/4 1	100-120V	SAFR85-I-J-GG-S SAFR85-I-J-GG-S1	32.9 32.9	SAFR85IJ SAFR85IJ	SMS SMS1	SGL40T SGL40T	SGU40SS SGU40SS
		200-277V	SAFR85-I-K-GG-S SAFR85-I-K-GG-S1	32.9 32.9	SAFR85IK SAFR85IK	SMS SMS1	SGL40T SGL40T	SGU40SS SGU40SS
<b>90° STANCHION MOUNT</b> 	3/4 1	100-120V	SAFR85-I-J-GG-L SAFR85-I-J-GG-L1	32.9 32.9	SAFR85IJ SAFR85IJ	SML SML1	SGL40T SGL40T	SGU40SS SGU40SS
		200-277V	SAFR85-I-K-GG-L SAFR85-I-K-GG-L1	32.9 32.9	SAFR85IK SAFR85IK	SML SML1	SGL40T SGL40T	SGU40SS SGU40SS








# INDUCTION SAF Series

Hazardous Locations • Class I, Division 2 • Class II • Class III • UL 1598, 1598A, 844 • Wet Locations • CSA

## Refractor and Guard- 85 Watt

(Lamps Included)






Mounting Style	Conduit Size (in.)	Typical Voltage*	Catalog Number	Shipping Weight (lbs.)	CONSISTS OF			
					Ballast Housing	Outlet Box	Refractor	Guard
<b>RIGID PENDANT</b> 	3/4 1	100-120V	<b>SAFR85-I-J-R5-G-P</b> <b>SAFR85-I-J-R5-G-P1</b>	29.2 29.2	SAFR85IJ SAFR85IJ	SMP SMP1	SRE45GL SRE45GL	SGU25W SGU25W
	3/4 1	200-277V	<b>SAFR85-I-K-R5-G-P</b> <b>SAFR85-I-K-R5-G-P1</b>	29.2 29.2	SAFR85IK SAFR85IK	SMP SMP1	SRE45GL SRE45GL	SGU25W SGU25W
<b>CEILING MOUNT</b> 	3/4 1	100-120V	<b>SAFR85-I-J-R5-G-C</b> <b>SAFR85-I-J-R5-G-C1</b>	30 30	SAFR85IJ SAFR85IJ	SMC SMC1	SRE45GL SRE45GL	SGU25W SGU25W
	3/4 1	200-277V	<b>SAFR85-I-K-R5-G-C</b> <b>SAFR85-I-K-R5-G-C1</b>	30 30	SAFR85IK SAFR85IK	SMC SMC1	SRE45GL SRE45GL	SGU25W SGU25W
<b>WALL MOUNT</b> 	3/4 1	100-120V	<b>SAFR85-I-J-R5-G-W</b> <b>SAFR85-I-J-R5-G-W1</b>	33.7 33.7	SAFR85IJ SAFR85IJ	SMW SMW1	SRE45GL SRE45GL	SGU25W SGU25W
	3/4 1	200-277V	<b>SAFR85-I-K-R5-G-W</b> <b>SAFR85-I-K-R5-G-W1</b>	33.7 33.7	SAFR85IK SAFR85IK	SMW SMW1	SRE45GL SRE45GL	SGU25W SGU25W
<b>25° STANCHION MOUNT</b> 	3/4 1	100-120V	<b>SAFR85-I-J-R5-G-S</b> <b>SAFR85-I-J-R5-G-S1</b>	31.8 31.8	SAFR85IJ SAFR85IJ	SMS SMS1	SRE45GL SRE45GL	SGU25W SGU25W
	3/4 1	200-277V	<b>SAFR85-I-K-R5-G-S</b> <b>SAFR85-I-K-R5-G-S1</b>	31.8 31.8	SAFR85IK SAFR85IK	SMS SMS1	SRE45GL SRE45GL	SGU25W SGU25W
<b>90° STANCHION MOUNT</b> 	3/4 1	100-120V	<b>SAFR85-I-J-R5-G-L</b> <b>SAFR85-I-J-R5-G-L1</b>	31.8 31.8	SAFR85IJ SAFR85IJ	SML SML1	SRE45GL SRE45GL	SGU25W SGU25W
	3/4 1	200-277V	<b>SAFR85-I-K-R5-G-S</b> <b>SAFR85-I-K-R5-G-S1</b>	31.8 31.8	SAFR85IK SAFR85IK	SML SML1	SRE45GL SRE45GL	SGU25W SGU25W

# INDUCTION SAF Series

Hazardous Locations • Class I, Division 2 • Class II • Class III • UL 1598, 1598A, 844 • Wet Locations • CSA

## Globe and Guard- 165 Watt

(Lamps included)






Mounting Style	Conduit Size (in.)	Typical Voltage*	Catalog Number	Shipping Weight (lbs.)	CONSISTS OF			
					Ballast Housing	Outlet Box	Globe	Guard
<b>RIGID PENDANT</b> 	3/4 1	100-120V	SAFR165-I-J-GG-P SAFR165-I-J-GG-P1	29.7 29.7	SAFR165IJ SAFR165IJ	SMP SMP1	SGL40T SGL40T	SGU40SS SGU40SS
	3/4 1	200-277V	SAFR165-I-K-GG-P SAFR165-I-K-GG-P1	29.7 29.7	SAFR165IK SAFR165IK	SMP SMP1	SGL40T SGL40T	SGU40SS SGU40SS
<b>CEILING MOUNT</b> 	3/4 1	100-120V	SAFR165-I-J-GG-C SAFR165-I-J-GG-C1	30.5 30.5	SAFR165IJ SAFR165IJ	SMC SMC1	SGL40T SGL40T	SGU40SS SGU40SS
	3/4 1	200-277V	SAFR165-I-K-GG-C SAFR165-I-K-GG-C1	30.5 31.1	SAFR165IK SAFR165IK	SMC SMC1	SGL40T SGL40T	SGU40SS SGU40SS
<b>WALL MOUNT</b> 	3/4 1	100-120V	SAFR165-I-J-GG-W SAFR165-I-J-GG-W1	34.2 34.2	SAFR165IJ SAFR165IJ	SMW SMW1	SGL40T SGL40T	SGU40SS SGU40SS
	3/4 1	200-277V	SAFR165-I-K-GG-W SAFR165-I-K-GG-W1	34.2 34.2	SAFR165IK SAFR165IK	SMW SMW1	SGL40T SGL40T	SGU40SS SGU40SS
<b>25° STANCHION MOUNT</b> 	3/4 1	100-120V	SAFR165-I-J-GG-S SAFR165-I-J-GG-S1	32.3 32.3	SAFR165IJ SAFR165IJ	SMS SMS1	SGL40T SGL40T	SGU40SS SGU40SS
	3/4 1	200-277V	SAFR165-I-K-GG-S SAFR165-I-K-GG-S1	32.3 32.3	SAFR165IK SAFR165IK	SMS SMS1	SGL40T SGL40T	SGU40SS SGU40SS
<b>90° STANCHION MOUNT</b> 	3/4 1	100-120V	SAFR165-I-J-GG-L SAFR165-I-J-GG-L1	32.3 32.3	SAFR165IJ SAFR165IJ	SML SML1	SGL40T SGL40T	SGU40SS SGU40SS
	3/4 1	200-277V	SAFR165-I-K-GG-L SAFR165-I-K-GG-L1	32.3 32.3	SAFR165IK SAFR165IK	SML SML1	SGL40T SGL40T	SGU40SS SGU40SS

# INDUCTION SAF Series

Hazardous Locations • Class I, Division 2 • Class II • Class III • UL 1598, 1598A, 844 • Wet Locations • CSA

## Refractor and Guard- 165 Watt

(Lamps Included)

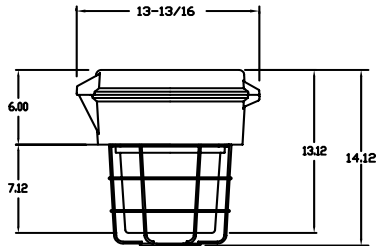
Mounting Style	Conduit Size (in.)	Typical Voltage*	Catalog Number	Shipping Weight (lbs.)	CONSISTS OF			
					Ballast Housing	Outlet Box	Refractor	Guard
<b>RIGID PENDANT</b> 	3/4 1	100-120V	SAF165-I-J-R5-G-P SAF165-I-J-R5-G-P1	32.7 32.7	SAFR165IJ SAFR165IJ	SMP SMP1	SRE45GL SRE45GL	SGU25W SGU25W
	3/4 1	200-277V	SAF165-I-K-R5-G-P SAF165-I-K-R5-G-P1	32.7 32.7	SAFR165IK SAFR165IK	SMP SMP1	SRE45GL SRE45GL	SGU25W SGU25W
<b>CEILING MOUNT</b> 	3/4 1	100-120V	SAF165-I-J-R5-G-C SAF165-I-J-R5-G-C1	33.5 33.5	SAFR165IJ SAFR165IJ	SMC SMC1	SRE45GL SRE45GL	SGU25W SGU25W
	3/4 1	200-277V	SAF165-I-K-R5-G-C SAF165-I-K-R5-G-C1	33.5 33.5	SAFR165IK SAFR165IK	SMC SMC1	SRE45GL SRE45GL	SGU25W SGU25W
<b>WALL MOUNT</b> 	3/4 1	100-120V	SAF165-I-J-R5-G-W SAF165-I-J-R5-G-W1	37.2 37.2	SAFR165IJ SAFR165IJ	SMW SMW1	SRE45GL SRE45GL	SGU25W SGU25W
	3/4 1	200-277V	SAF165-I-K-R5-G-W SAF165-I-K-R5-G-W1	37.2 37.2	SAFR165IK SAFR165IK	SMW SMW1	SRE45GL SRE45GL	SGU25W SGU25W
<b>25° STANCHION MOUNT</b> 	3/4 1	100-120V	SAF165-I-J-R5-G-S SAF165-I-J-R5-G-S1	35.3 35.3	SAFR165IJ SAFR165IJ	SMS SMS1	SRE45GL SRE45GL	SGU25W SGU25W
	3/4 1	200-277V	SAF165-I-K-R5-G-S SAF165-I-K-R5-G-S1	35.3 35.3	SAFR165IK SAFR165IK	SMS SMS1	SRE45GL SRE45GL	SGU25W SGU25W
<b>90° STANCHION MOUNT</b> 	3/4 1	100-120V	SAF165-I-J-R5-G-L SAF165-I-J-R5-G-L1	35.3 35.3	SAFR165IJ SAFR165IJ	SML SML1	SRE45GL SRE45GL	SGU25W SGU25W
	3/4 1	200-277V	SAF165-I-K-R5-G-L SAF165-I-K-R5-G-L1	35.3 35.3	SAFR165IK SAFR165IK	SML SML1	SRE45GL SRE45GL	SGU25W SGU25W

# INDUCTION SAF Series

Hazardous Locations • Class I, Division 2 • Class II • Class III • UL 1598, 1598A, 844 • Wet Locations • CSA

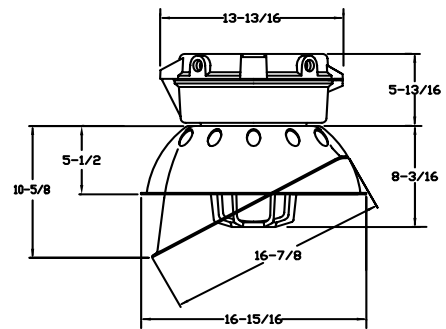
## SAFR w/Threaded Refractor

55 Watt Induction



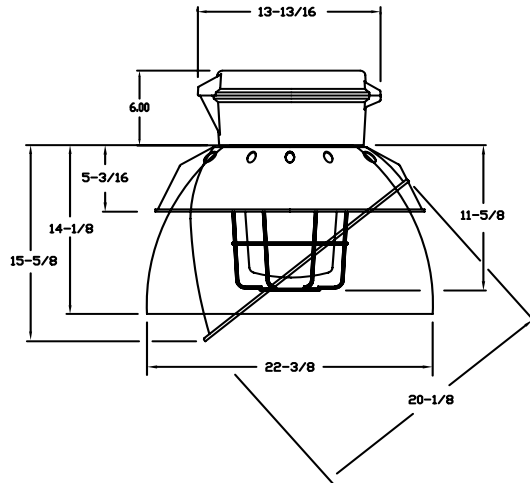
## SAF w/Globe & Guard

55 Watt Induction



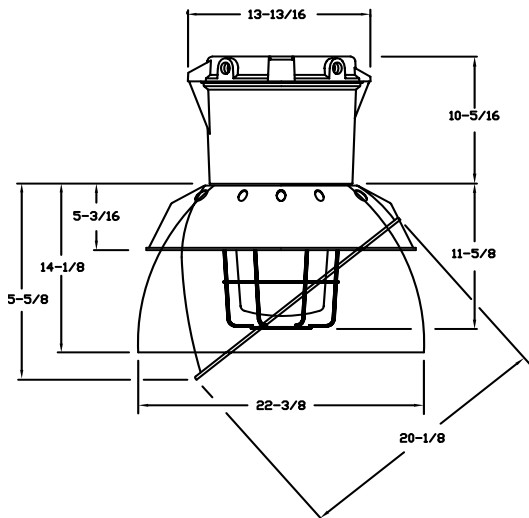
## SAFR w/Globe & Guard

85 Watt Induction



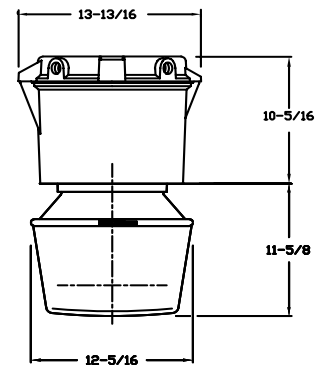
## SAF w/Globe & Guard

165 Watt Induction



## SAF w/Refractor

165 Watt Induction



INDUCTION  
**SAF Series**

Hazardous Locations • Class I, Division 2 • Class II • Class III • UL 1598, 1598A, 844 • Wet Locations • CSA







DIMENSIONAL  
DRAWINGS




★ Refer to Certification Guide to determine suitability of individual fixture.

# INDUCTION SAF Series

Hazardous Locations • Class I, Division 2 • Class II • Class III • UL 1598, 1598A, 844 • Wet Locations • CSA

## Accessories

OUTLET BOXES	Catalog No.	Conduit Hub Size (In.)	Shipping Weight (Lbs.)
<b>RIGID PENDANT</b> 	SMP	3/4	3.3
	SMP1	1	3.3
<b>CEILING MOUNT</b> 	SMC	3/4	4.1
	SMC1	3/4	4.1
<b>CONE MOUNT</b> 	SMK	3/4	14.5
	SMK1	1	14.5
<b>WALL MOUNT</b> 	SMW	3/4	7.8
	SMW1	1	7.8
<b>STANCHION MOUNT (25°)</b> 	SMS	3/4	5.9
	SMS1	1	5.9
<b>STANCHION MOUNT (90°)</b> 	SML	3/4	5.9
	SML1	1	5.9

REFLECTORS	Catalog No.	Description	Shipping Weight (Lbs.)
	SR25D <sup>①</sup>	Standard Dome Reflector Fiberglass Reinforced Polyester for use with 5-1/2 in. dia. Globe	2.0
	SR40D <sup>①</sup>	Standard Dome Reflector Fiberglass Reinforced Polyester for use with 7-3/4 in. dia. Globe	3.0
	SR25A	30° Angle Reflector Fiberglass Reinforced Polyester for use with 5-1/2 in. dia. Globe	2.0
	SR40A	30° Angle Reflector Fiberglass Reinforced Polyester for use with 7-3/4 in. dia. Globe	4.5
	SR40HB <sup>①</sup>	High Bay Aluminum Reflector with baked on white enamel for use with 7-3/4 in. dia. Globe	5.0






<sup>①</sup> Not suitable for wall mount applications, fixtures with R2, R3 or R5 refractor



Refer to Certification Guide to determine suitability of individual fixture.

# INDUCTION SAF Series

Hazardous Locations • Class I, Division 2 • Class II • Class III • UL 1598, 1598A, 844 • Wet Locations • CSA

## Accessories

GUARDS	Catalog No.	Description	Shipping Weight (Lbs.)
	SGU25P	Fiberglass Reinforced Polycarbonate Guard for use with 5-1/2 in. dia. Globe	.33
	SGU25SS	Stainless Steel Guard for use with 5-1/2 in. dia. Globe	.20
	SGU40SS	Stainless Steel Guard for use with 7-3/4 in. dia. Globe	2.0
	SGU25W	Wire Guard for Glass Refractors (R Type Refractors)	2.0
	SXP25WG	Wire Guard For Threaded Globe Refractors (T Type Refractors)	1.50

GLASS GLOBE	Catalog No.	Description	Shipping Weight (Lbs.)
	SGL25T	Heat and Impact Resistant Prismatic Glass Globe 55 Watt Max. (5-1/2 in. dia.)	4.0
	SGL40T	Heat and Impact Resistant Prismatic Glass Globe 165 Watt Max. (7-3/4 in. dia.)	8.0


Refer to Certification Guide to determine suitability of individual fixture.



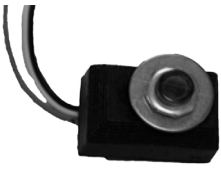
# INDUCTION SAF Series

Hazardous Locations • Class I, Division 2 • Class II • Class III • UL 1598, 1598A, 844 • Wet Locations • CSA

## Accessories

PHOTO CELL KIT*	Catalog No.	Description	Shipping Weight (Lbs.)
	SPH25-120	Automatic on-off switch at predetermined light levels. 120 volt only.  REQUIRES FIELD INSTALLATION.	.19

\* Not Suitable for hazardous locations.

HAZARDOUS LOCATION PHOTO CELL KIT	Catalog No.	Description	Shipping Weight (Lbs.)
	HLPC-120	Automatic on-off switch at predetermined light levels.	.25
	HLP-208-277	REQUIRES FIELD INSTALLATION.	.25

GLASS REFRACTORS	Catalog No.	Description	Shipping Weight (Lbs.)
	SRE22GL	IES Type II light distribution (asymmetrical)	11.0
	SRE23GL	IES Type III light distribution (asymmetrical)	
	SRE25GL	IES Type V light distribution (symmetrical)	
Closed Bottom Glass Refractor. 12 in. dia. for use with 5-1/2 in. Globe Thread.			
	SRE42GL	IES Type II light distribution (asymmetrical)	11.0
	SRE43GL	IES Type III light distribution (asymmetrical)	
	SRE45GL	IES Type V light distribution (symmetrical)	
Closed Bottom Glass Refractor. 12 in. dia. for use with 7-3/4 in. Globe Thread.			
	SRT21GL	IES Type I light distribution (asymmetrical)	6.6
	SRT23GL	IES Type III light distribution (asymmetrical)	6.6
	SRT25GL	IES Type V light distribution (symmetrical)	6.6
Closed Bottom Threaded Glass Refractor. For use with 7-3/4 in. Globe Thread.			

Refer to Certification Guide to determine suitability of individual fixture.