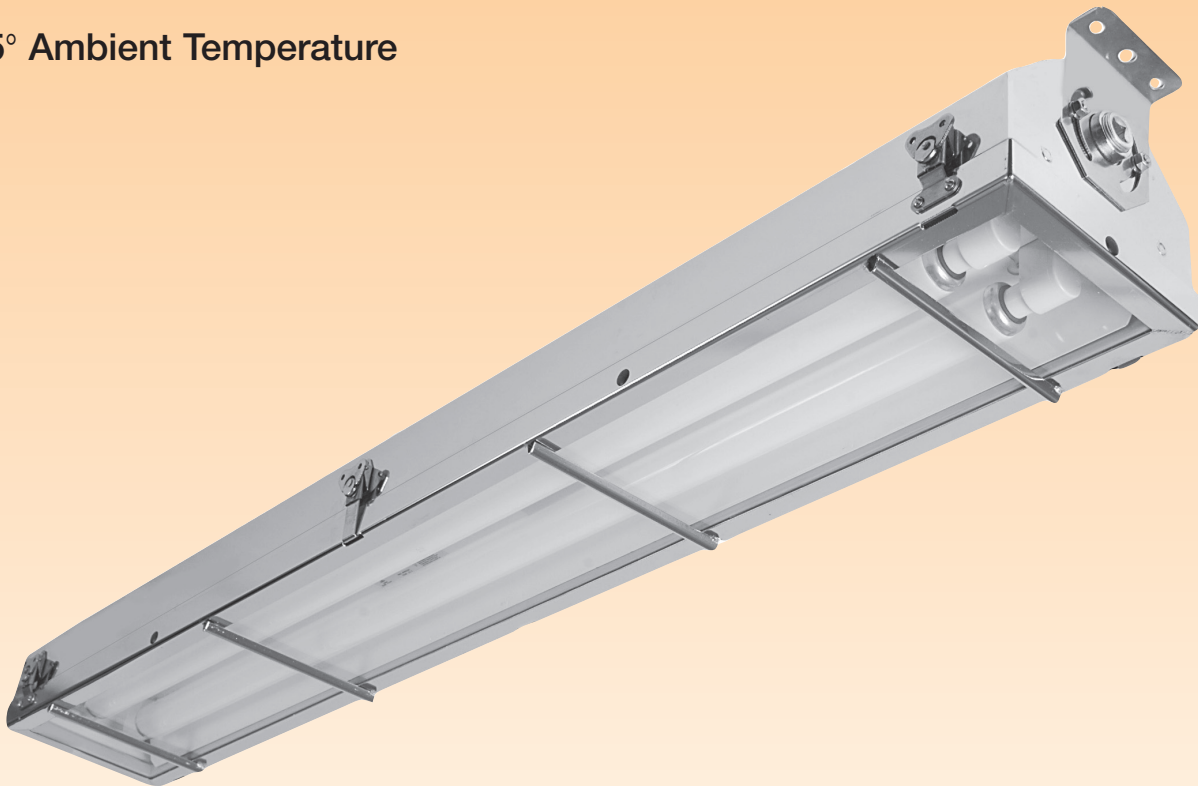


RSS SERIES

Fluorescent Lighting for Hazardous Locations

- Class I, Division 2, Groups A, B, C & D
- Stainless Steel
- UL 844 Hazardous Location
- UL 1598A Marine Outside Type
- CUL
- Wet Locations
- IP66
- 55° Ambient Temperature

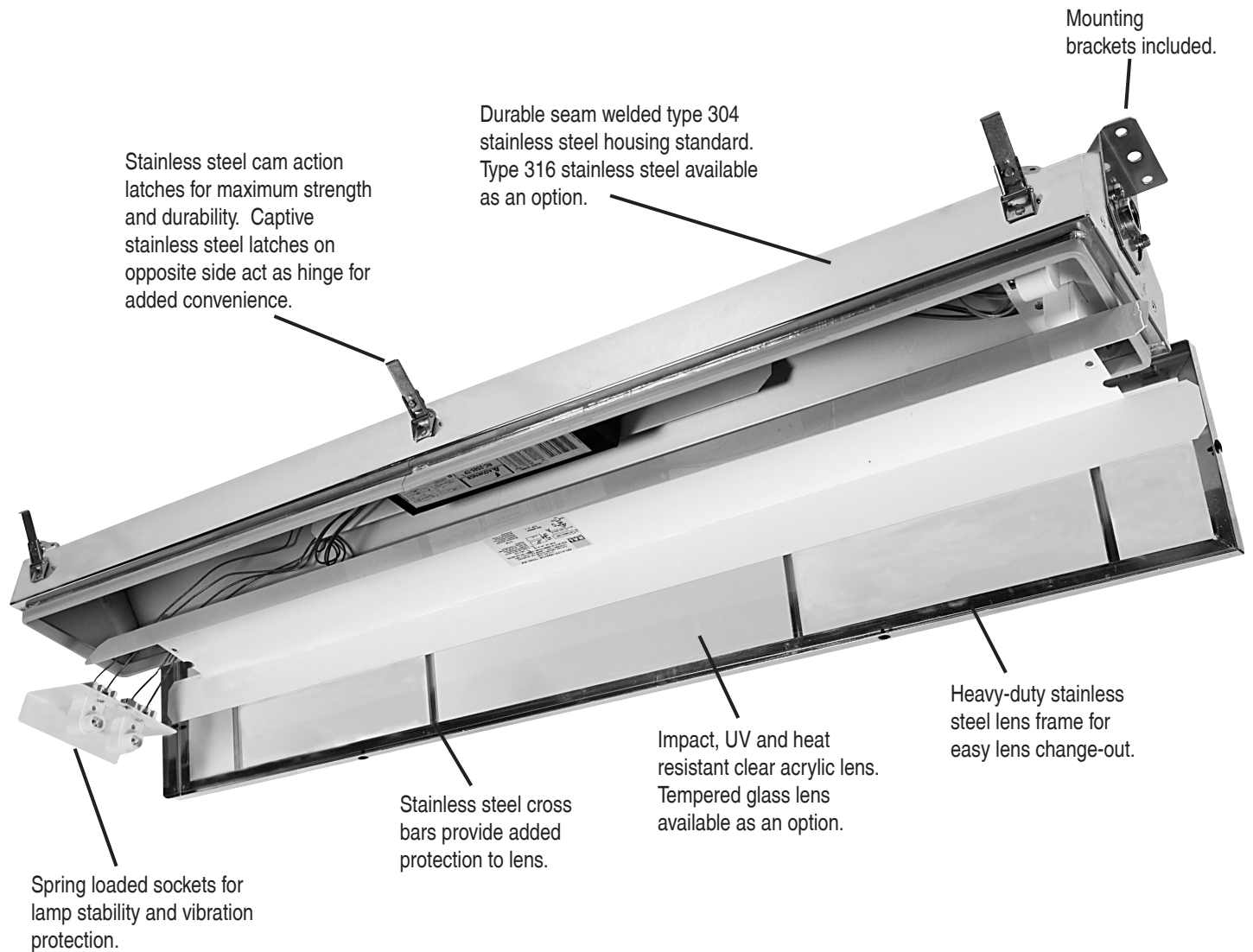


AZZ | R-A-L™
RIG-A-LITE

RSS SERIES

Fluorescent Lighting for Hazardous Locations

Each RSS Series fixture is individually tested for functional and dielectrical strength at the factory to ensure quality and reliability.



FLUORESCENT RSS Series

Hazardous Locations • Class I, Division 2 • UL 844 • UL 1598A Marine Outside Type • CUL

Catalog Number Logic

RSS 800-4-U-XX

1
2
3
4
5

1

BASIC SERIES

RSS Fluorescent Fixture
Class I, Division 2, Groups A, B, C & D
UL 844 Hazardous Locations
UL 1598A Marine Outside Type
CUL
Zone 2, Groups IIA, IIB & IIC
IP66

2

LAMP CURRENT/LAMP WATTAGE

800 = 800mA, 60/35 Watt, T12HO¹
460 = 460mA, 54 Watt, T5HO²
430 = 430mA, 34/20 Watt, T12
425 = 425mA, 40/20 Watt (DC) Slimline
380 = 380mA, 44 Watt, T8HO²
265 = 265mA, 32/17 Watt, T8
T5 = T5, 28 Watt

3

NOMINAL FIXTURE LENGTH

2 = 2 Foot
4 = 4 Foot

4

VOLTAGE FREQUENCY

A = 120V 60 HZ (430mA Only)
B = 236V 60 HZ (430mA Only)
C = 277V 60 HZ (430mA Only)
D = 220V 50 HZ³
E = 12V DC (425mA Only)
F = 24V DC (425mA Only)
G = 32V DC (425mA Only)
H = 347V 60 HZ
U = 120 thru 277V 50/60 HZ

5

OPTIONS⁴

TW = End Mounting/Thru Wire
Cable Installation Only
F = Individually Fused Ballast⁵
R = Radio Interference Filter
L = Lamps
EM = Emergency Battery Backup
316 = SS316 Housing and Lens Frame
P = Polished
TM = Tempered Glass
HL = Hi-Lumen Ballast (T8 Only)
2ST2SC = 2 Safety Tabs & 2 Safety Cables

¹Minimum starting temperature for standard 800mA fixtures is -20°F.

²Available in 4 ft. models only.

³Not available with 2 ft. HO.

⁴Consult factory for pricing.

⁵Fuse option not available for marine listed fixtures.

Certification Guide

OPERATING TEMPERATURE CODE		
RSS SERIES	CLASS I, DIVISION 2 GROUPS A, B, C & D	RATED AMBIENT TEMPERATURE
RSS 800/430/265/460	T3B (165°C/329°F)	55°C (131°F)

Catalog logic is for explaining catalog number structure only. Not all combinations are possible; consult factory for catalog numbers not listed in charts.

FLUORESCENT RSS Series

Hazardous Locations • Class I, Division 2 • UL 844 • UL 1598A Marine Outside Type • CUL



- Class I, Division 2, Groups A, B, C and D
- UL 844 Hazardous Locations
- UL 1598A Marine Outside Type
- Stainless Steel
- CUL
- Wet Locations
- IP66

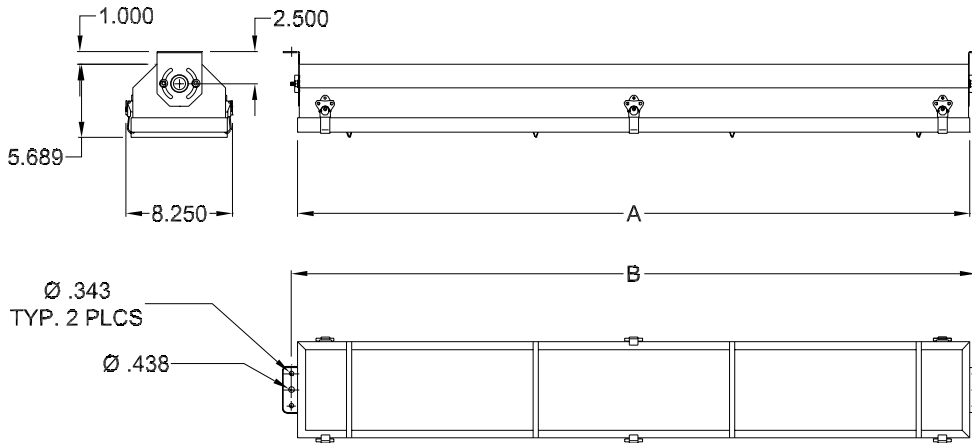
(Lamps not included)

	Description	Hub Size (inches)	Voltage	Catalog Number
Four Foot Fixture	32 Watt, Rapid Start Medium Bi-Pin, T8, 265mA, 48"	3/4	120-277V 50/60HZ	RSS265-4-U
	34 Watt, Rapid Start Medium Bi-Pin, T12, 430mA, 48"	3/4	120V/60HZ	RSS430-4-A
			236V/60HZ	RSS430-4-B
			277V/60HZ	RSS430-4-C
			220V/50HZ	RSS430-4-D
60 Watt, Rapid Start High Output, T12 Recessed Double Contact, 800mA, 48"	3/4	120-277V 50/60HZ	RSS800-4-U	
54 Watt, T5 HO Miniature Bi-Pin 2 Lamp, 48"	3/4	120-277V 50/60HZ	RSS460-4-U	
Two Foot Fixture	17 Watt, Rapid Start Medium Bi-Pin, T8, 430mA, 24"	3/4	120-277V 50/60HZ	RSS265-2-U
	20 Watt, Rapid Start Medium Bi-Pin, T12, 430mA, 24"	3/4	120V/60HZ	RSS430-2-A
			236V/60HZ	RSS430-2-B
			277V/60HZ	RSS430-2-C
220V/50HZ			RSS430-2-D	
35 Watt, Rapid Start High Output, T12, Recessed Double Contact, 800mA, 48"	3/4	120-277V 50/60HZ	RSS800-2-U	

FLUORESCENT RSS Series

Hazardous Locations • Class I, Division 2 • UL 844 • UL 1598A Marine Outside Type • CUL

Fixture Dimensions (inches)



RSS SERIES	Dimensions (Inches)		Boxed Weight	Shipping Volume (Boxed Fixtures)
	A	B		
2 ft. Models	28.25	30.13	21 lbs.	1.0 cu. ft.
4 ft. Models	52.25	54.13	35 lbs.	1.8 cu. ft.

Accessories



Beam Clamp Mounting Kit

Catalog Number: 53010
Shipping Weight: 7 lbs.
(Included with new fixture purchase)



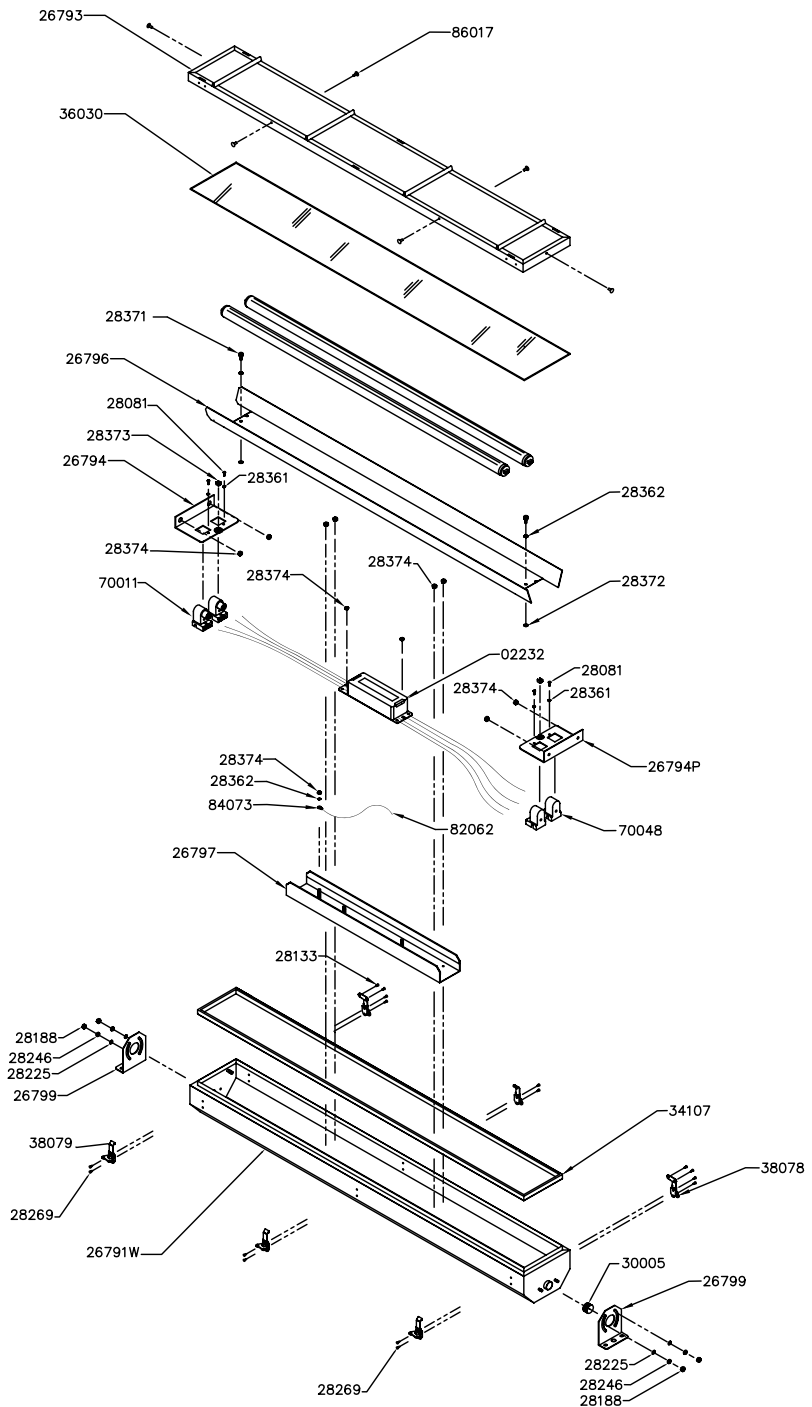
Beam Clamp

Catalog Number: 38083
Shipping Weight: 4 lbs.

FLUORESCENT RSS Series

Hazardous Locations • Class I, Division 2 • UL 844 • UL 1598A Marine Outside Type • CUL

Parts List CATALOG NUMBER RSS800-4-U



- Note: 1. Above drawing and part numbers are for fixture catalog no. RSS800-4-U.
 2. Parts may vary for other models. Contact factory if parts for other models are required.
 3. Ballasts and lamps are listed on separate pages.

FLUORESCENT
RSS Series

Hazardous Locations • Class I, Division 2 • UL 844 • UL 1598A Marine Outside Type • CUL

Parts List

Part No.	Description	Weight
02232	BLST FLUOR 800MA 120-277V 50/60HZ	10.2
26791L	HSG RSS-4	6.5
26793C	LENS FRAME RSS-4	2.0
26794P	BRKT LPHLDR RSS800 PNTD	0.3
26796	REFLECTOR RSS 430/800-4	1.5
26797	BLST TRAY RSS800-4	1.0
26799	BRKT MTG RSS	0.8
28133	SCREW RDH	0.1
28186	NUT HEX 1/4-20 SS	0.1
28188	NUT LOCK NYLON INSERT	0.1
28225	WASHER FLAT 1/4SS	0.1
28246	WASHER SPLIT LOCK	0.1
28361	WASHER STAR INTL #8 PL	0.1
28362	WASHER STAR EXTRNL #10	0.1
28371	SCREW PNL #8-32X.56	0.1
28372	WASHER NYLON .15 IDX.31	0.1
28373	NUT CAGE #8-32 PL	0.1
28374	NUT FLANGE SERRATED #10	0.1
34107	GSKT LENS FRAME	0.1
36030	LENS CLEAR ACRYLIC RSS	1.3
70011	LPHLDR FLUOR REC DOUB TELESCOP	0.2
70048	LPHLDR FLUOR FIXED	0.1
84073	LUG RNG N/INS 16-14AWG	0.1
86017	MINI MTG BUTTON NYLON	0.1

NOTES