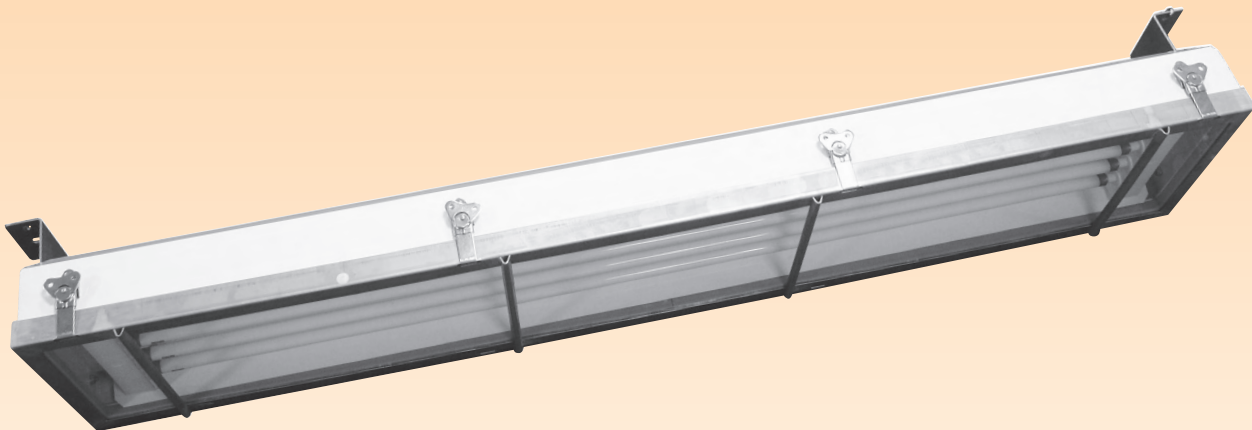


RSA SERIES

Fluorescent Lighting for Hazardous Locations

- Class I, Division 2, Groups A, B, C & D
- UL 844 Hazardous Locations
- Aluminum Housing
- Wet Locations

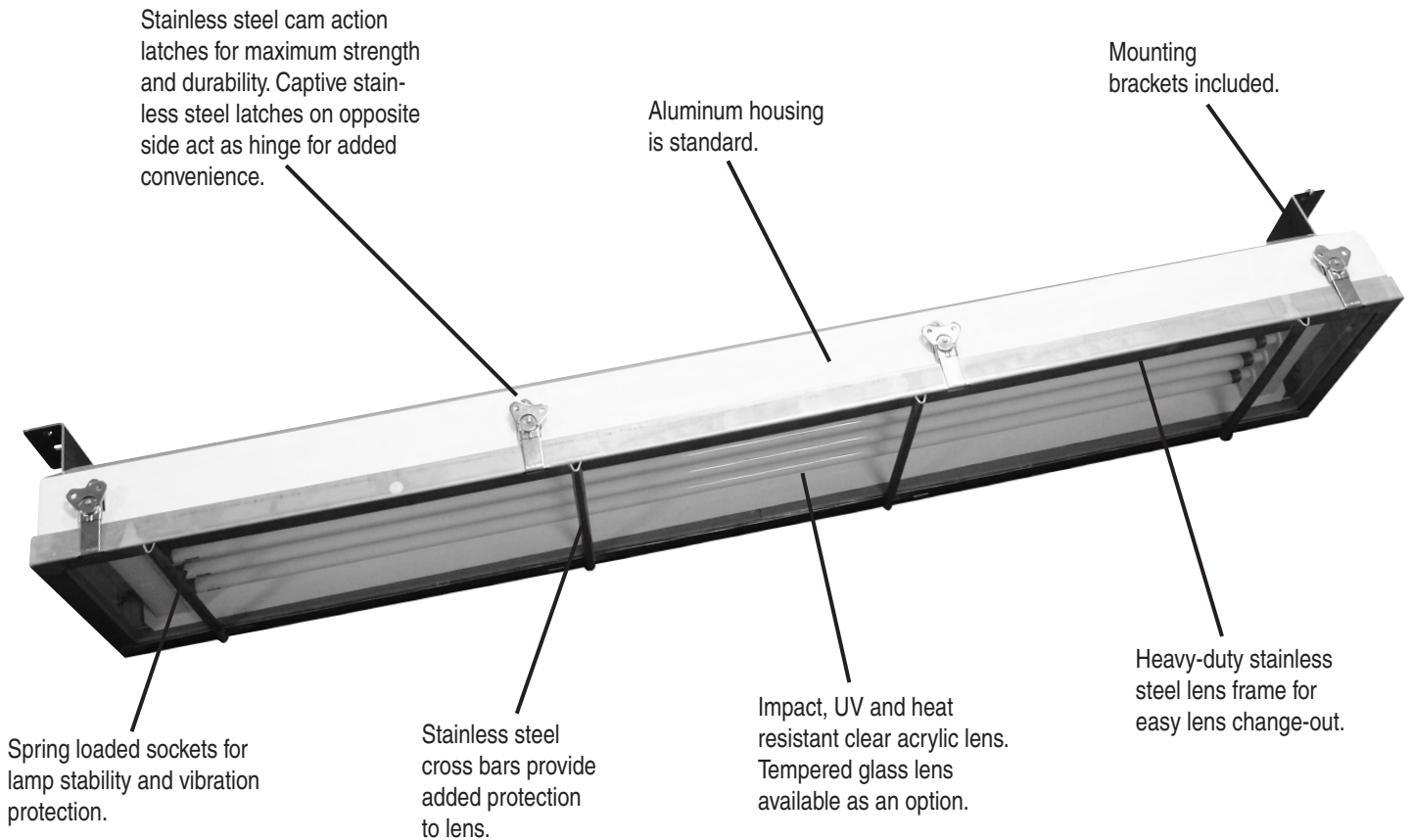


AZZ | R-A-L™
RIG-A-LITE

RSA SERIES

Fluorescent Lighting for Hazardous Locations

Each RSA Series fixture is individually tested for functional and dielectrical strength at the factory to ensure quality and reliability.



RSA Series

Hazardous Locations • Class I, Division 2 • UL 844

Catalog Number Logic

RSA T5HO-4-4L-U-XX

①

②

③

④

⑤

⑥

①

BASIC SERIES

RSA Fluorescent Fixture
Class I, Division 2, Groups A, B, C & D
UL 844 Hazardous Locations
Zone 2, Groups IIA, IIB & IIC

②

LAMP CURRENT/LAMP WATTAGE

800 = 800mA, 60/35 Watt, T12HO¹
T5HO = 460mA, 54 Watt, T5HO
430 = 430mA, 34/20 Watt, T12
425 = 425mA, 40/20 Watt (DC) Slimline
380 = 380mA, 44 Watt, T8HO
265 = 265mA, 32/17 Watt, T8

③

NOMINAL FIXTURE LENGTH

4 = 4 Foot

④

NUMBER OF LAMPS

1L = 1 Lamps
2L = 2 Lamps
3L = 3 Lamps
4L = 4 Lamps

⑤

VOLTAGE FREQUENCY

A = 120V 60 HZ (430mA Only)
B = 236V 60 HZ (430mA Only)
C = 277V 60 HZ (430mA Only)
D = 220V 50 HZ
H = 347V 60 HZ
U = 120 thru 277V 50/60 HZ

⑥

OPTIONS²

F = Individually Fused Ballast³
R = Radio Interference Filter
L = Lamps
EM = Emergency Battery Backup
HL = Hi-Lumen Ballast (T8 Only)

¹Minimum starting temperature for standard 800mA fixtures is -20°F.

²Consult factory for pricing.

³Fuse option not available for marine listed fixtures.

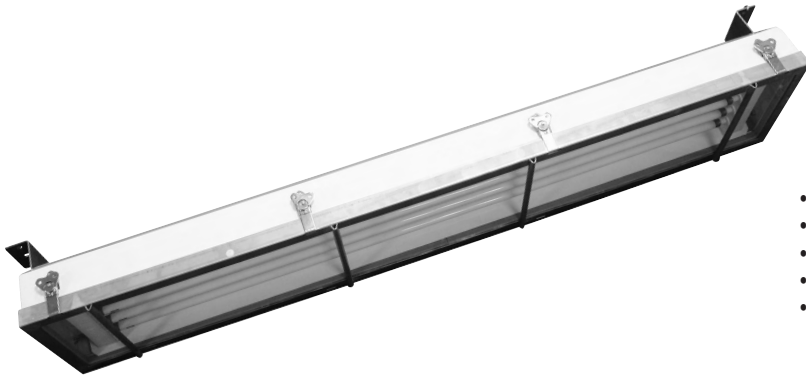
Certification Guide

OPERATING TEMPERATURE CODE		
RSA SERIES	CLASS I, DIVISION 2 GROUPS A, B, C & D	RATED AMBIENT TEMPERATURE
RSA T5HO/800/430/265	T3 (200°C)	40°C

Catalog logic is for explaining catalog number structure only. Not all combinations are possible; consult factory for catalog numbers not listed in charts.

FLUORESCENT RSA Series

Hazardous Locations • Class I, Division 2 • UL 844



- Class I, Division 2 Groups A, B, C and D
- UL 844 Hazardous Locations
- Aluminum housing
- Wet locations
- Mounting brackets included

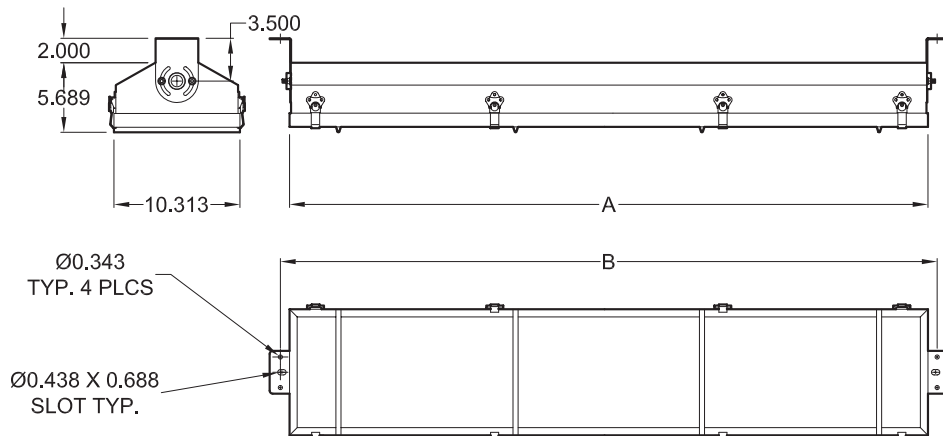
(Lamps not included)

	Description	Hub Size (Inches)	Voltage	Catalog Number
Four Foot Fixture	32 Watt, Rapid Start Medium Bi-Pin, T8, 265mA, 48"	3/4	120-277V 50/60HZ	RSA265-4-4L-U
	34 Watt, Rapid Start Medium Bi-Pin, T12, 430mA, 48"	3/4	120V/60HZ	RSA430-4-4L-A
			236V/60HZ	RSA430-4-4L-B
			277V/60HZ	RSA430-4-4L-C
			220V/50HZ	RSA430-4-4L-D
60 Watt, Rapid Start High Output, T12 Recessed Double Contact, 800mA, 48"	3/4	120-277V 50/60HZ	RSA800-4-4L-U	
54 Watt, T5HO Miniature Bi-Pin, 48"	3/4	120-277V 50/60HZ	RSAT5HO-4-4L-U	

RSA Series

Hazardous Locations • Class I, Division 2 • UL 844

Fixture Dimensions (inches)



RSA SERIES	Dimensions (Inches)		Boxed Weight	Shipping Volume (Boxed Fixtures)
	A	B		
4 ft. Models	52.25	54.13	27 lbs.	2.3 cu. ft.

Accessories



Beam Clamp Mounting Kit

Catalog Number: 53010
Shipping Weight: 7 lbs.



Beam Clamp

Catalog Number: 38083
Shipping Weight: 4 lbs.

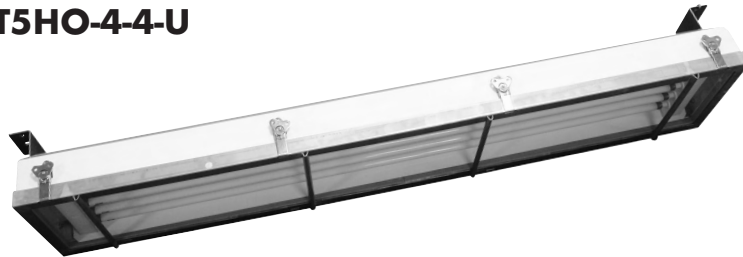
FLUORESCENT

RSA Series

Hazardous Locations • Class I, Division 2 • UL 844

Parts List

CATALOG NUMBER RSAT5HO-4-4-U



Part No.	Description	Weight
26814C	FRAME LENS RSA 4 LMP SS	2.0
26816	REFL RSA 4 LMP	1.5
26817P	BRKT LPHLDR RSA T5HO 4 LMP PNTD	0.8
26799	BRKT MTG RSS	0.1
28133	FASTENER SCREW RDH 8-32 X 5/16 SS	0.1
28188	FASTENER NUT LOCK NYLON INSERT 1/4-20 SS	0.1
28225	FASTENER WASHER FLAT 1/4 .065 THK SS	0.1
28246	FASTENER WASHER SPLIT LOCK 1/4 SS	0.1
28361	FASTENER WASHER STAR INTL #8 PL	0.1
28362	FASTENER WASHER STAR EXTRNL #10 PL	0.1
28371	FASTENER SCREW PNL #8-32 X .63 BRASS NIPL	0.1
28372	FASTENER WASHER FLAT 0.15 IN ID 0.31 IN OD .03 IN T NYLON	0.1
28373	FASTENER NUT CAGE #8-32 R .064-.105 PL	0.1
28374	FASTENER NUT FLANGE SERRATED # 10-32 PL	0.1
30005	PLUG PIPE RECESSED 0.75 IN NPT ALUM	0.5
70030	LMPHLDR FLUOR MIN BI-PIN SNAP-IN PLUNGER T5 HO	0.2
70031	LMPHLDR FLUOR MINI BI-PIN SNAP-IN FXD END T5HO	0.2
84073	LUG RNG N INS 16 14AWG 10SCW	0.1
86017	MTG BUTTON MINI MTG NYLON NATURAL	0.1
82131	WIRE TEW AWM 18AWG 600V BLACK TOP COAT 105C UL CSA	0.3
82132	WIRE TEW AWM 18AWG 600V WHITE TOP COAT 105C UL CSA	0.3
82134	WIRE TEW AWM 18AWG 600V BLUE TOP COAT 105C UL CSA	0.3
82133	WIRE TEW AWM 18AWG 600V RED TOP COAT 105C UL CSA	0.3
82062	WIRE MTW AWM TFFN 16AWG PVC 600V GREEN 19 STRANDS	0.3
86146	BUSHING SNAP .625 MTG HOLE NYLON BLACK	0.1
28136	FASTENER SCREW PAN PHLP SHEET METAL #6 X 3/8 T	0.1
34123R	GSKT FXTR RSA 4LMP SILICONE EXTRUDED VULCANIZED	0.1
36032	LENS RSA 4FT 4LMP CLEAR ACRYLIC TYPE G	1.3
26811L	HSG RSA 4LMP PNTD WITH LATCHES	6.5
02100	BALLAST FLUOR 1 OR 2L T5HO UNIV 50/60H	10.2
26818	BRKT LPHLDR RSAT5HO 4 LMP	0.2