

RLB SERIES

HID Lighting for Hose-Down Applications

- UL 1598 Wet Locations
- Enclosed & Gasketed
- NSF Certified
- Wash Down Rated (1200 psi)
- FDA Compliant Electrostatically Applied Epoxy Paint
- Tool Free Maintenance



AZZ | R-A-L™
RIG-A-LITE

RLB SERIES

HID Lighting for Hose-Down Applications



- Excellent optics afforded by UV resistant clear acrylic lens. High temperature acrylic is standard or polycarbonate lens is available
- Tool free maintenance
- Superior watershed design provides protection against the entrance of water and dust

RLB Series

UL/CUL Listed • Wash Down Rated • NSF Certified

Catalog Number Logic

RLB 40-H-04-SA-W-XX

①

②

③

④

⑤

⑥

⑦

①

BASIC SERIES

RLB Series Low Bay Fixture
UL 1598 Wet Locations
Enclosed & Gasketed
NSF Certified Food Equipment
Wash Down Rated (1200 psi)

⑤

LENS TYPE

SA = High Temperature, UV Resistant Acrylic
with Painted Aluminum Reflector
P = Polycarbonate
(70-250 Watt MH or 70-150 Watt HPS Only)

②

LAMP CURRENT/LAMP WATTAGE

07 = 70 Watt
10 = 100 Watt
15 = 150 Watt
17 = 175 Watt
25 = 250 Watt
32 = 320 Watt
35 = 350 Watt
40 = 400 Watt

⑥

FINISH

W = White Baked-On Epoxy
S = Special Colors (Specify)

③

LAMP TYPE (MOGUL BASE)

S = High Pressure Sodium
(70, 100, 150, 250 & 400 Watt)
H = Metal Halide
(70, 150, 175, 250 & 400 Watt)

⑦

OPTIONS¹

Q = Hot Start Auxiliary Quartz Auxillary²
(70-250 Watt MH or 70-150 Watt HPS Only)
QTD = Quartz Auxiliary Time Delay²
Hot and Cold Start
FB1 = Single Fuse Block
FB2 = Double Fuse Block
L = Lamps
OR = Open Rated Socket
PS = Pulse Start
R = Instant Re-Strike (HPS Only) Up to 150
Watts

④

BALLAST VOLTAGE

04 = Multi-tap (120, 208, 220, 240, & 277V)
05 = 120/208/240/277/480V 60HZ
12 = 120V 60HZ
20 = 208V 60HZ
22 = 220/240V 50HZ
24 = 240V 60HZ
27 = 277V 60HZ
34 = 347V 60HZ
48 = 480V 60HZ

¹Consult factory for pricing.

²100 Watt quartz lamp included.

³Not available with multi-tap ballast unless incoming voltage is specified. When installed, one fuse block is provided for 120, 277V and two fuse blocks are provided for 208, 220, 240, 347 and 480V. Fuse not included.

Catalog logic is for explaining catalog number structure only. Not all combinations are possible; consult factory for catalog numbers not listed in charts.

HIGH PRESSURE SODIUM • METAL HALIDE

RLB Series

UL/CUL Listed • Wash Down Rated • NSF Certified



- UL 1598 Wet Locations
- CUL
- Cast aluminum ballast housing
- UV resistant high temperature acrylic lens
- Aluminum reflector with electrostatically applied baked-on white epoxy finish
- Tested for hose-down conditions up to 1200 psi
- NSF Certified Food Equipment
- Tool free relamping
- 40°C Rated

(Lamp not included)

Fixture Type	Lamp Watts	ANSI Code	Conduit Size (Inches)	Catalog Number ¹	Shipping Weight (Lbs.)
				120/208/240/277V 60HZ	
Metal Halide	70	M98	3/4	RLB07-H-04-SA-W	40.8
	100	M90	3/4	RLB10-H-04-SA-W	42.8
	175	M137/M152	3/4	RLB17-H-04-SA-W-PS	44.8
	250	M138/M153	3/4	RLB25-H-04-SA-W-PS	46.9
	320	M132/M154	3/4	RLB32-H-04-SA-W-PS	47.5
	350	M131/M171	3/4	RLB35-H-04-SA-W-PS	47.5
	400	M135/M155	3/4	RLB40-H-04-SA-W-PS	51.0
High Pressure Sodium	70	S62	3/4	RLB07-S-04-SA-W	41.6
	100	S54	3/4	RLB10-S-04-SA-W	43.7
	150	S55	3/4	RLB15-S-04-SA-W	45.2
	250	S50	3/4	RLB25-S-04-SA-W	48.3
	400	S51	3/4	RLB40-S-04-SA-W	52.0

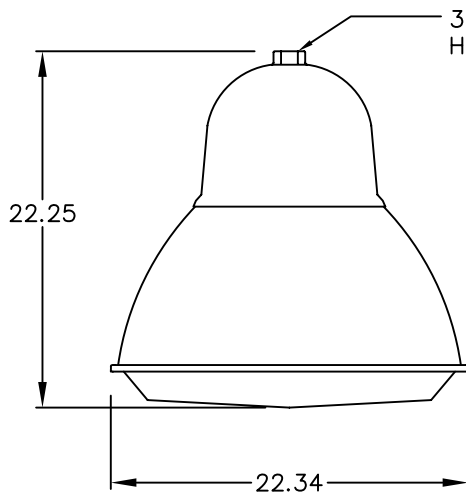
¹ Catalog Numbers are shown for fixtures with multi-tap ballasts. For other voltages, refer to Catalog Number Logic page 257.

Fixtures listed are with finish option: Electrostatically Applied Baked-on Epoxy.

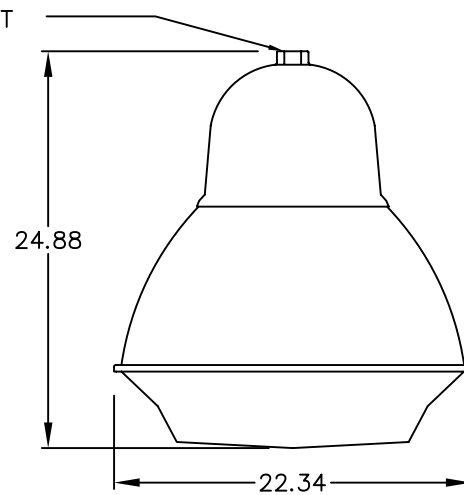
RLB Series

UL/CUL Listed • Wash Down Rated • NSF Certified

Fixture Dimensions (inches)



250W MH&MV, 150W HPS



400W MH&MV
250 - 400W HPS

Accessories



Fixture Hanger

3/4 in. Male Thread
Catalog Number: HCK75
Shipping Weight: 1.7 lbs.



Sealed Cable Assembly

Includes 6 ft. #16 CAP* Conductor Cable
Catalog Number: SC1636
Shipping Weight: 1.5 lbs.

* Consult Factory for Other Available Lengths

NOTES