

M SERIES

Marine Type HID and Incandescent Flood Lighting

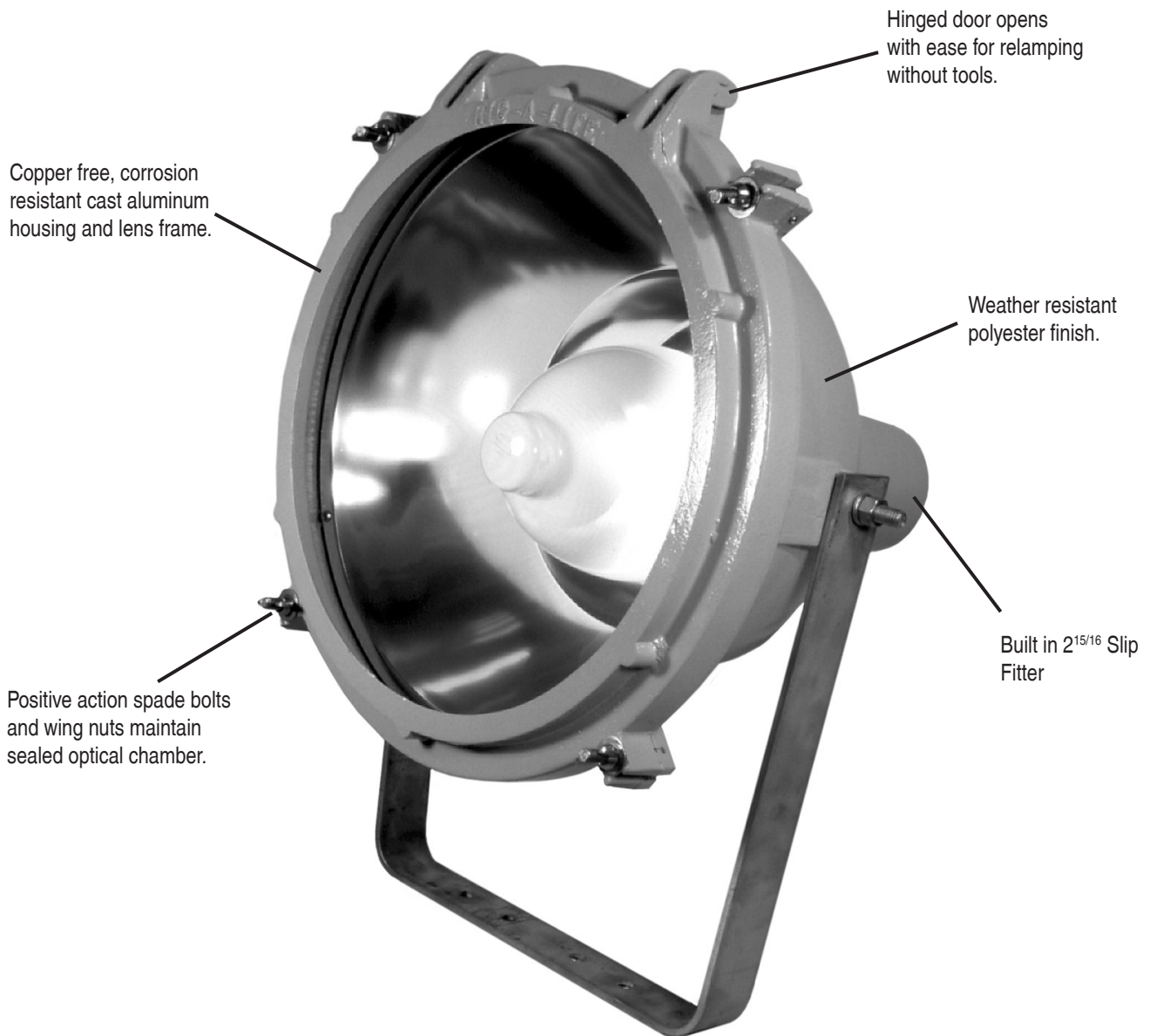
- UL 1598A Marine Outside Type
- Cast Aluminum Housing
- Wet Locations
- Corrosion Resistant



AZZ | R-A-L™
RIG-A-LITE

M SERIES

Marine Type HID and Incandescent Flood Lighting



- Suitable for areas that require heavy duty, corrosion resistant floodlights
- Built in 2 15/16" slip fitter
- UL 1598A Marine Outside Type

M Series

UL 1598A Marine Outside Type • Cast Aluminum Housing • Wet Locations

Catalog Number Logic

M 1000-MH-MTB



①

BASIC SERIES

M Series Flood Lighting
UL 1598A Marine Outside Type
Wet Locations
Corrosion Resistant

④

BALLAST VOLTAGE

MTB = 120//208/240/277V 60 Hz

②

LAMP WATTAGE

300/500 = 300 to 500 Watt Incandescent
750/1000 = 750 to 1000 Watt Incandescent
1000 = 1000 Watt Metal Halide

③

LAMP TYPE

I = Incandescent
MH = Metal Halide

M Series

UL 1598A Marine Outside Type • Cast Aluminum Housing • Wet Locations



- UL 1598A Marine Outside Type
- Copper free, corrosion resistant cast aluminum housing and lens frame
- Weather resistant polyester finish
- Positive action spade bolts and wing nuts maintain sealed optical chamber
- Hinged door opens with ease for relamping without tools
- Suitable for areas that require heavy duty, corrosion resistant floodlights

(Lamps not included)

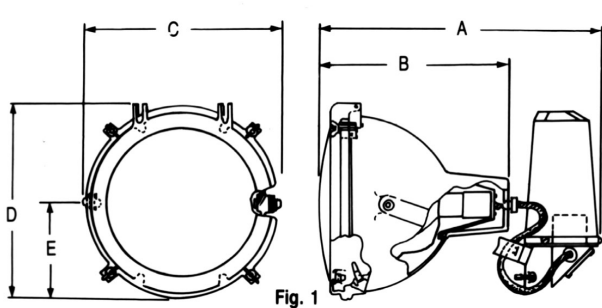
Fixture Type	Wattage	Voltage	Lamp Type	Mounting Type	Dimensions Fig. No.	Catalog Number
Metal Halide	1000	Multi-Tap*	BT-56	Slip Fitter	1	M1000MH-MTB ^①
Incandescent	300-500	250V Max	PS-35	Trunnion	2	M300/500-INC ^①
	750-1000	250V Max	PS-52	Trunnion	2	M750/1000-INC ^②

*120/208/240/277V 60HZ. Other voltages available.

^①UL 1598A listed and labeled.

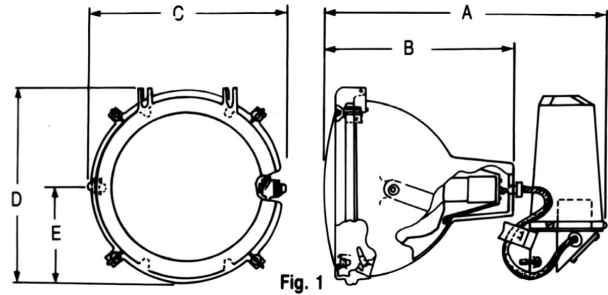
^②UL 1598A conformance.

Fixture Dimensions (inches)



Metal Halide

M Series	Dimensions (Inches)				
	A	B	C	D	E
M1000MH	30.00	20.00	19.63	19.88	9.75



Incandescent

M Series	Dimensions (Inches)			
	A	B	C	D
M300/500-INC	16.75	17.25	17.00	8.38
M750/1000-INC	20.00	19.63	19.88	9.75