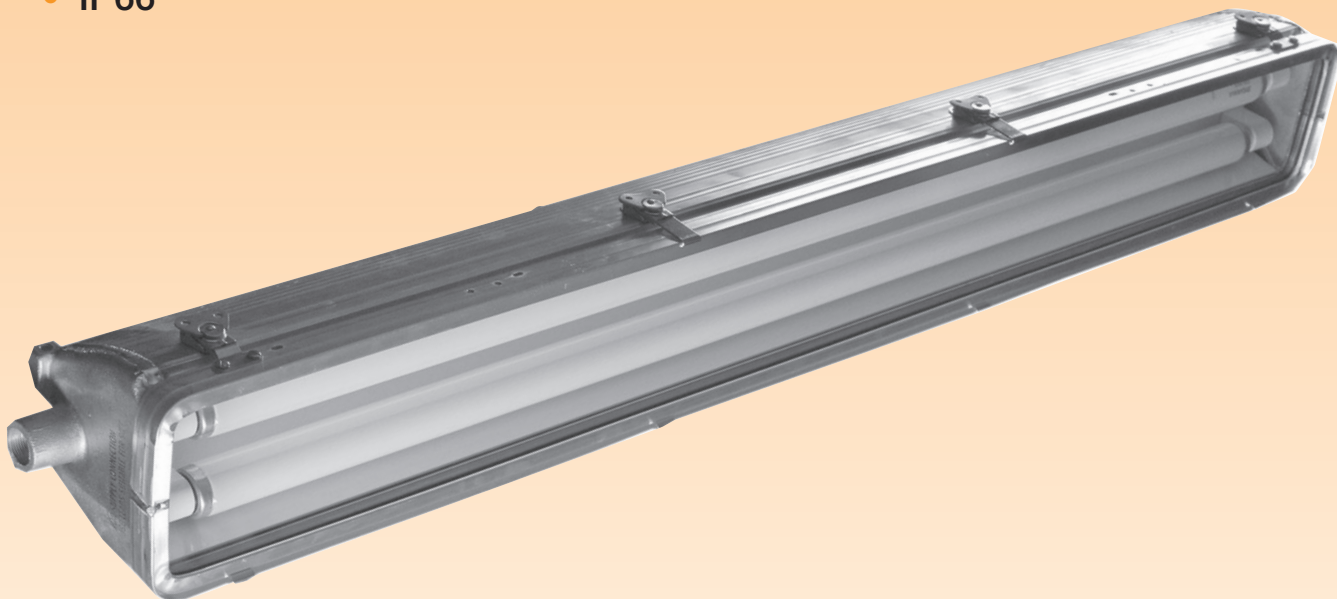


MAR SERIES

Fluorescent Lighting for Hazardous Locations

- Class I, Division 2, Groups A, B, C, & D
- Seismic Tested
- UL 844 Hazardous Locations
- UL 924 Emergency Lighting
- UL 1598A Marine Outside Type
- CSA Certified
- Zone 2, Groups IIA, IIB, IIC
- 55°C Ambient Temperature (265mA T8 only)
- IP66

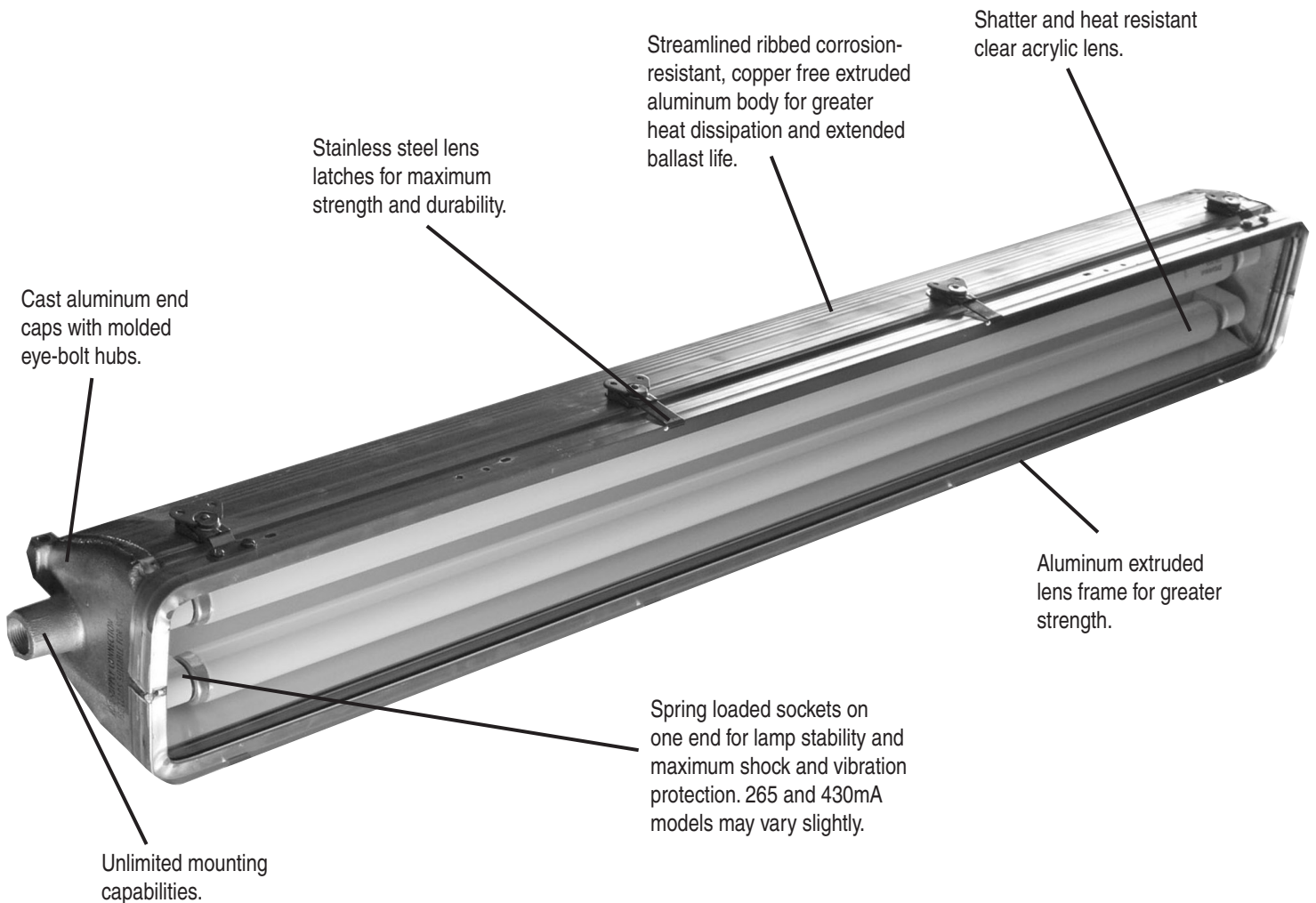


AZZ | R-A-L™
RIG-A-LITE

MAR SERIES

Fluorescent Lighting for Hazardous Locations

Each MAR Series fixture is individually tested for functional and dielectrical strength at the factory to assure quality and reliability. This heavy-duty fixture arrives completely assembled.



- Convenient access to wiring chamber and thermally protected Class P ballast
- Marine Duty testing exceeds NEMA 4X requirements for hose-down pressure and corrosion testing
- Seismic testing by Structural Dynamics Research Corporation (full scale seismic fragility qualification)
Tested in frequencies of 1 to 31.6 hertz in 3-plane axis with maximum G force of 18.67 achieved

FLUORESCENT MAR Series

Hazardous Locations • Class I, Division 2 • UL 844 • UL 1598A Marine Outside Type • CSA Certified • Wet Locations

Catalog Number Logic

MAR 800-2-A-XX

1

2

3

4

5

1

BASIC SERIES

MAR Fluorescent Fixture
Class I, Division 2, Groups A, B, C & D
UL 844 Hazardous Location
UL 1598A Marine Outside Type
CSA Certified
Zone 2, Groups IIA, IIB & IIC
55°C Ambient Temperature (265mA T8 only)
IP66

2

LAMP CURRENT/LAMP WATTAGE

800 = 800mA, 60/35 Watt
430 = 430mA, 34/20 Watt
425 = 425mA, 40/20 Watt (Slimline)
265 = 265mA, 32/17 Watt (T8 Lamps)

3

NOMINAL FIXTURE LENGTH

2 = 2 Foot
4 = 4 Foot

4

VOLTAGE/FREQUENCY

A = 120V 60HZ
B = 236V 60HZ
C = 277V 60HZ
D = 220V 50HZ
E = 12V DC (425mA only)
F = 24V DC (425mA only)
G = 32V DC (425mA only)
H = 347V 60HZ
U = 120 thru 277V 50/60HZ

5

OPTIONS¹

TW = End Mounting/Thru Wire
Cable Installations Only
F = Individually Fused Ballast²
R = Radio Interference Filter
L = Lamps
EM = Emergency Battery Backup³
TM = Tempered Glass
HL = Hi-Lumen Ballast (T8 Only)

¹Consult factory for pricing.

²Fuse option not available for marine listed fixtures.

³Painted Gray finish available on emergency only.

Catalog logic is for explaining catalog number structure only. Not all combinations are possible; consult factory for catalog numbers not listed in charts.

FLUORESCENT MAR Series

Hazardous Locations • Class I, Division 2 • UL 844 • UL 1598A Marine Outside Type • CSA Certified • Wet Locations



- Class I, Division 2, Groups A, B, C and D
- UL Listed 1598A and 844
- CSA Certified
- Zone 2, Groups IIA, IIB and IIC
- For drilling rig, marine and industrial lighting hazardous locations
- Corrosion resistant, low copper content aluminum two lamp fixture
- Available in 265, 425, 430 or 800 mA
- Versatile mounting arrangements, (360°)
- Easy access to fluorescent ballast and internal wiring
- Streamlined design gives eye appeal and ruggedness
- Designed to withstand strong vibration
- Available in AC or DC

(Lamps not included)

	Description	Hub Size (inches)	Voltage	Catalog Number*
Four Foot Fixture	32 Watt, Rapid Start Medium Bi-Pin, T8, 265mA, 48"	3/4	120-277V 50/60HZ	MAR265-4-U
	34 Watt, Rapid Start Medium Bi-Pin, T12 430mA, 48"	3/4	120V/60HZ	MAR430-4-U
			236V/60HZ	MAR430-4-U
			277V/60HZ	MAR430-4-U
			220V/50HZ	MAR430-4-U
	40 Watt, Instant Start Slimline, T12 48"	3/4	12V DC	MAR425-4-E
			24V DC	MAR425-4-F
			32V DC	MAR425-4-G
60 Watt, Rapid Start High Output, T12 Recessed Double Contact 800mA, 48"	3/4	120-277V 50/60HZ	MAR800-4-U	
Two Foot Fixture	17 Watt, Rapid Start, Medium Bi-Pin T8, 265mA, 24"	3/4	120-277V 50/60HZ	MAR265-2-U
	20 Watt, Rapid Start Medium Bi-Pin, T12 430mA, 24"	3/4	120V/60HZ	MAR430-2L-U
	20 Watt, Instant Start Slimline, T12 24"	3/4	12V DC	MAR425-2-E
			24V DC	MAR425-2-F
			32V DC	MAR425-2-G
35 Watt, Rapid Start High Output, T12, Recessed Double Contact 800mA, 24"	3/4	120-277V 50/60HZ	MAR800-2-U	

*Add suffix "TW" for wire thru models

FLUORESCENT MAR Series

Hazardous Locations • Class I, Division 2 • UL 844 • UL 1598A Marine Outside Type • CSA Certified • Wet Locations

Certification Guide

OPERATING TEMPERATURE CODE		
MAR SERIES	CLASS I, DIVISION 2 GROUPS A, B, C & D	RATED AMBIENT TEMPERATURE
MAR 430, 800 2 FT. & 4 FT. MODELS	T6 (85°C/185°F)	25°C (77°F)
MAR 425 4 FT. MODELS	T6 (85°C/185°F)	40°C (104°F)
MAR 265 2 FT. & 4 FT. MODELS	T4A (120°C/248°F)	55°C (131°F)

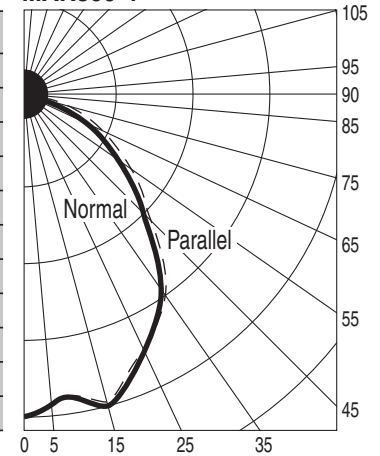
Coefficients of Utilization MAR800-4

% Effective Ceiling Cavity Reflectance ρ_{cc}	80			50			10		
	50	30	10	50	30	10	50	30	10
% Wall Reflectance ρ_w	20% Effective Floor Cavity Reflectance								
Room Cavity Ratio RCR	20% Effective Floor Cavity Reflectance								
1	.39	.38	.37	.37	.36	.35	.34	.34	.33
2	.35	.33	.31	.33	.31	.30	.31	.30	.29
3	.31	.29	.27	.30	.28	.26	.28	.26	.25
4	.28	.25	.23	.27	.24	.23	.25	.23	.22
5	.25	.22	.20	.24	.21	.19	.23	.21	.19
6	.23	.19	.17	.22	.19	.17	.20	.18	.17
7	.20	.17	.15	.19	.17	.15	.18	.16	.15
8	.18	.15	.13	.17	.15	.13	.17	.14	.13
9	.16	.13	.11	.16	.13	.11	.15	.13	.11
10	.15	.12	.10	.14	.12	.10	.14	.12	.10

Candlepower MAR800-4

Deg.	Parl.	22.5	45	67.5	Norm	Zonal Flux
0	1258	1258	1258	1258	1258	
5	1235	1234	1235	1235	1235	117
15	1266	1267	1272	1273	1273	360
25	1140	1144	1148	1146	1143	531
35	1005	1010	1011	999	994	631
45	769	772	763	749	744	589
55	580	577	559	537	526	499
65	342	337	311	282	270	307
75	125	119	93	75	69	102
85	7	7	7	6	6	8
90	0	0	0	0	0	

Fluorescent Photometrics MAR800-4

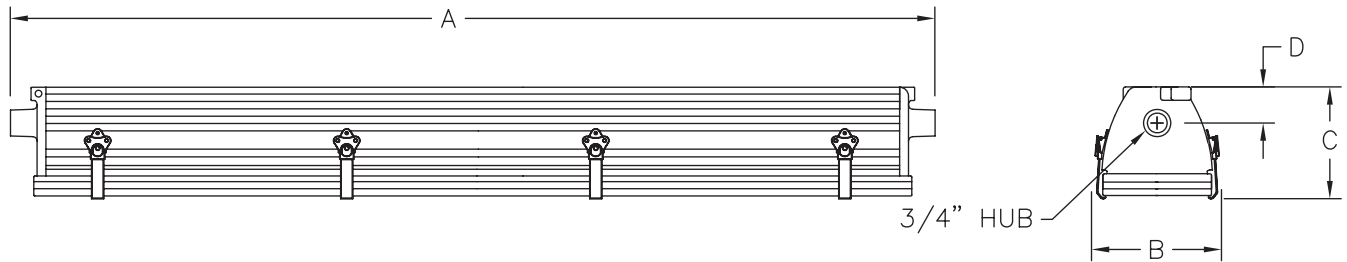


NOTE: All data provided is for 2-48 in. lamps, rapid start, high output cool white lamps, Rated: 4300 lumens. Use following candlepower/lumen multipliers for other size lamps, 40W, rapid start, cool white 0.73, 110W, rapid start, high output, cool white 1.59.

FLUORESCENT MAR Series

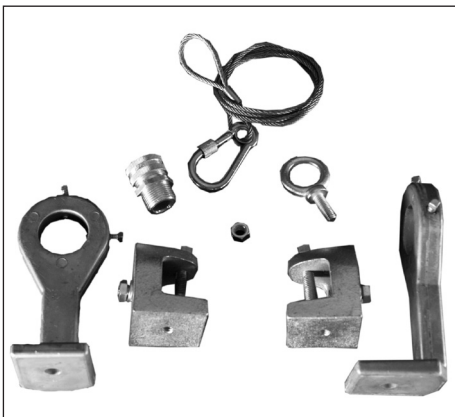
Hazardous Locations • Class I, Division 2 • UL 844 • UL 1598A Marine Outside Type • CSA Certified • Wet Locations

Fixture Dimensions (inches)



MAR SERIES	Dimensions (inches)				Boxed Weight	Shipping Volume (Boxed Fixtures)
	A	B	C	D		
4 ft. models	52.06	7.38	6.13	1.88	37 lbs.	2.0 cu. ft.
2 ft. models	28.06	7.38	6.13	1.88	27 lbs.	1.0 cu. ft.

Accessories



Straight Mounting Kit

Catalog Number: 53033
Shipping Weight: 5 lbs.



Offset Mounting Kit

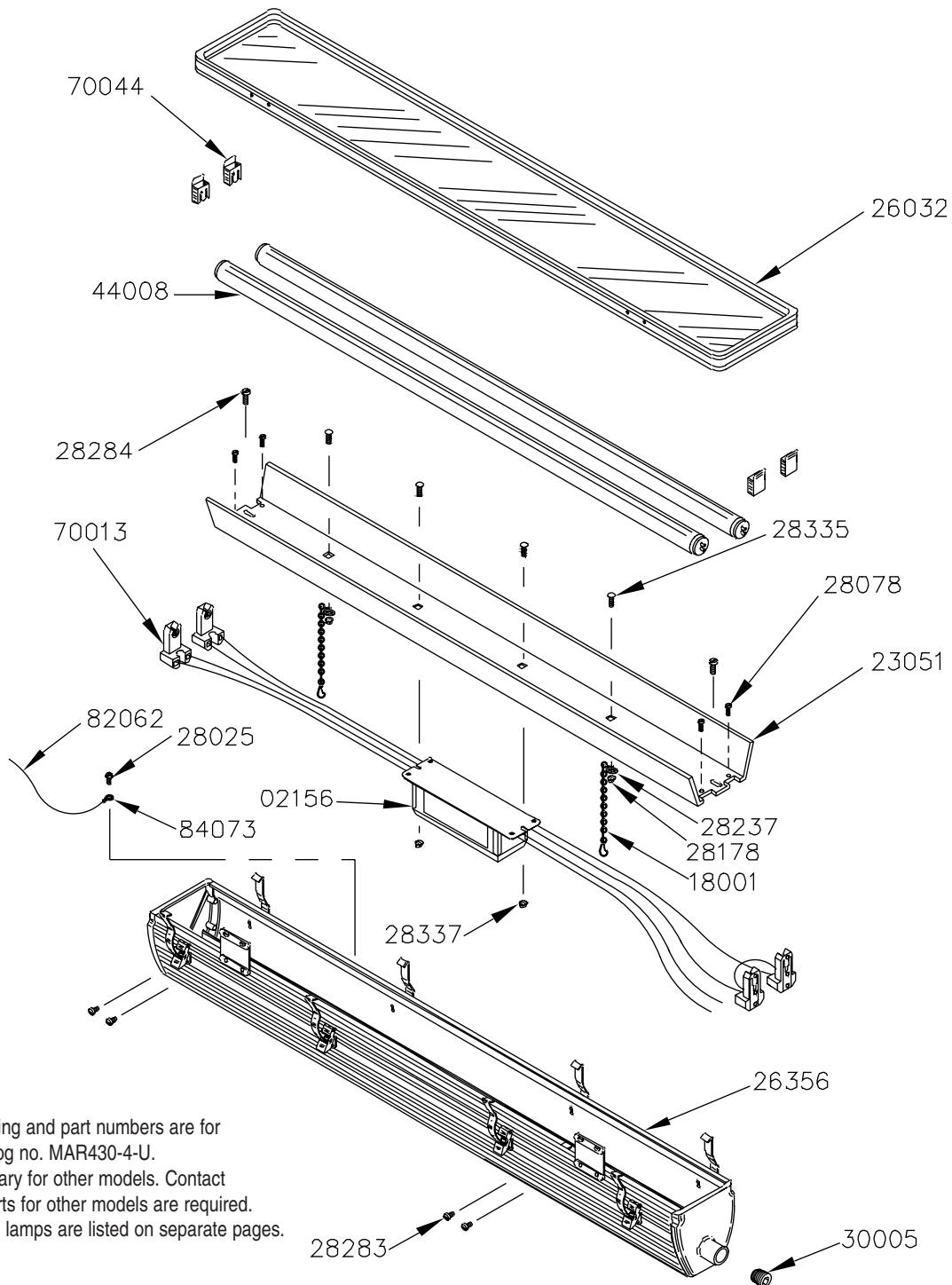
Catalog Number: 53032
Shipping Weight: 5 lbs.

FLUORESCENT MAR Series

Hazardous Locations • Class I, Division 2 • UL 844 • UL 1598A Marine Outside Type • CSA Certified • Wet Locations

Parts List

CATALOG NUMBER MAR430-4-U



Note: 1. Above drawing and part numbers are for fixture catalog no. MAR430-4-U.
2. Parts may vary for other models. Contact factory if parts for other models are required.
3. Ballasts and lamps are listed on separate pages.

FLUORESCENT
MAR Series

Hazardous Locations • Class I, Division 2 • UL 844 • UL 1598A Marine Outside Type • CSA Certified • Wet Locations

Parts List

Part No.	Description	Weight
02156	BLST FLUOR 430 120V	4.2
18001	CHAIN ASSEMBLY MAR	0.3
23051	REFLECTOR MAR430-4	4.0
26032	FRAME LENS ASSY MAR	6.0
26356	HSG ASSY MAR	10.9
28025	SCREW HEXWSHRSLT	0.1
28078	SCREW PAN	0.1
28178	NUT HEX	0.1
28237	WASHER SPLIT LOCK	0.1
28283	SCREW PAN	0.1
28284	SCREW PAN	0.1
28335	SCREW RDH CARIAGE	0.1
28337	NUT HEX TINMAN	0.1
30005	PLUG PIPE RECESSED	0.1
70011	LPHLDR HI-OUTPUT TELE (800MA FXTRS)	0.1
70013	LPHLDR BI-PIN (430 OR 265MA FXTRS)	0.2
70033	LPHLDR SLIMLINE TELE (425MA FXTRS)	0.2
70036	LPHLDR SLIMLINE FXD (425MA FXTRS)	0.2
70044	LOCK LAMP FOR BI-PIN LAMPS	0.1
70048	LPHLDR HI-OUTPUT FXD (800MA FXTRS)	0.2
82062	WIRE U/L-CSA GRN 16AWG	0.1
84073	LUG RNG N/INS 16-14AWG	0.1