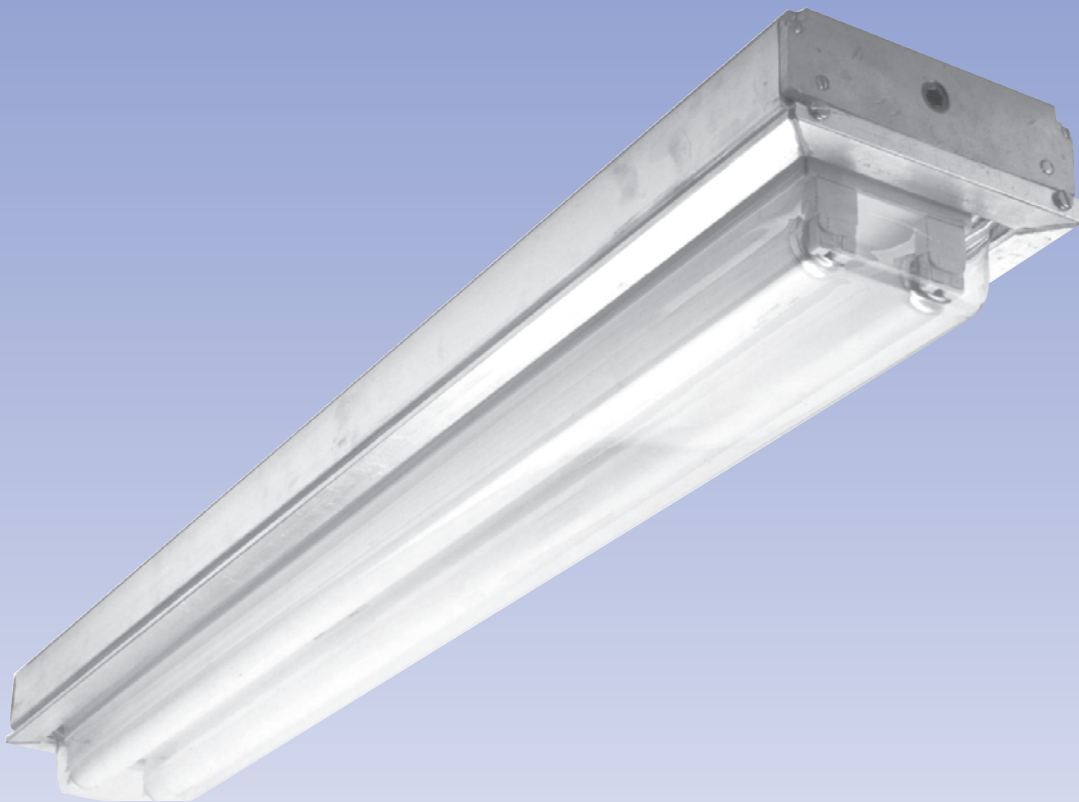


IDP SERIES

Aluminum Enclosed & Gasketed Fluorescent Lighting for Damp Locations

- UL 924 Emergency Lighting
- UL 1598A Marine Inside Drip Proof
- Damp Locations
- Dust Tight
- CSA Certified

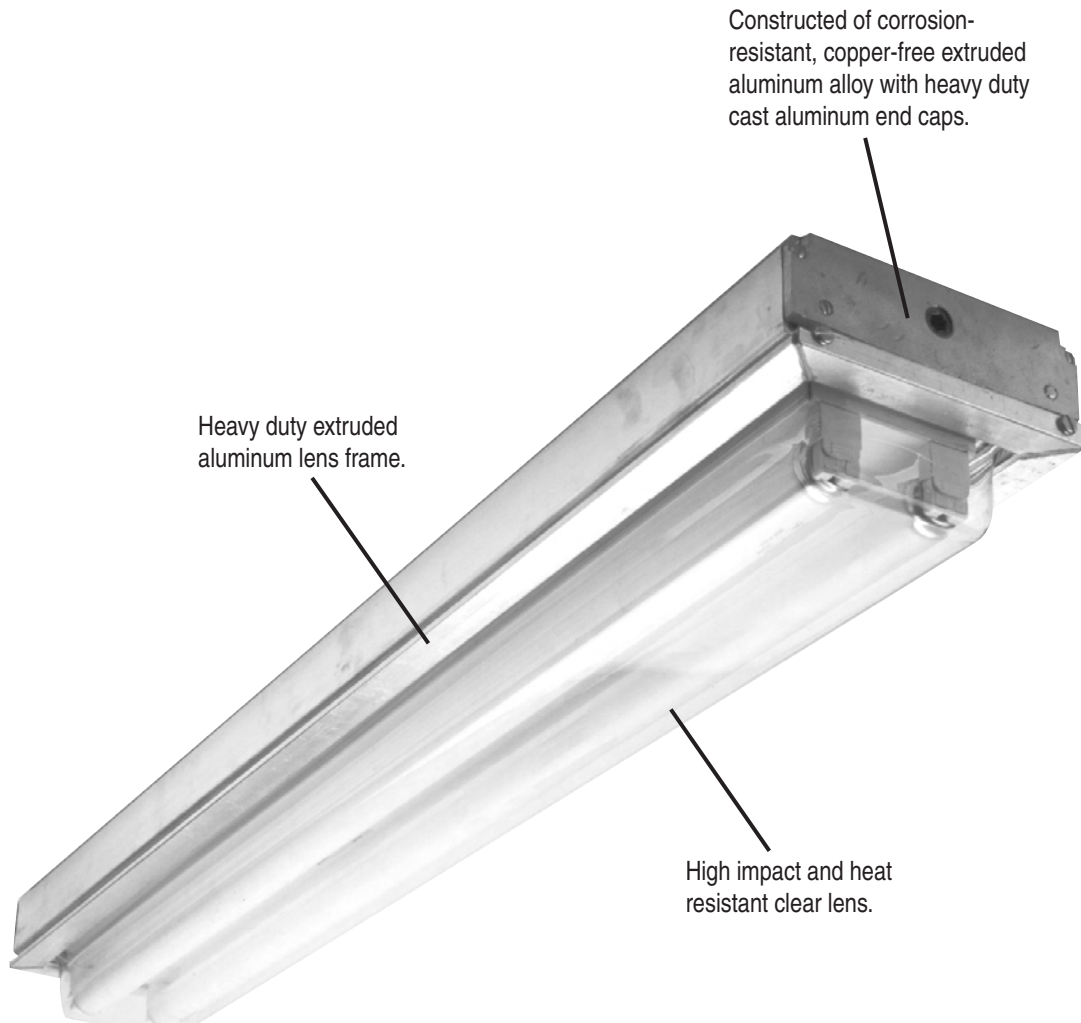


AZZ | R-A-L™
RIG-A-LITE

IDP SERIES

Aluminum Enclosed & Gasketed Fluorescent Lighting for Damp Locations

IDP Series fixture is designed for commercial or industrial environments where dust, smoke, moisture or corrosive conditions are present



- Adjustable mounting brackets allow for maximum flexibility of installation
- Available in two-foot and four-foot versions

FLUORESCENT

IDP Series

UL 1598A Marine Inside Drip Proof • CSA • Extruded Aluminum Housing and Lens Frame • Damp Locations • Dust Tight

Catalog Number Logic

IDP 430-4-A-C-XX

1

2

3

4

5

6

1

BASIC SERIES

IDP Fluorescent Fixture
Enclosed and Gasketed
Suitable for Indoor Marine Installations
UL 1598A Marine Inside Drip Proof
CSA

2

LAMP CURRENT/LAMP WATTAGE

800 = 800mA, 60/35 Watt
430 = 430mA, 34/20 Watt
425 = 425mA, 40/20 Watt (Slimline)
265 = 265mA, 32/17 Watt (T8 Lamps)

3

NOMINAL FIXTURE LENGTH

2 = 2 Foot
4 = 4 Foot

4

VOLTAGE/FREQUENCY

A = 120V 60HZ (430mA Only)
B = 236V 60HZ (430mA Only)
C = 277V 60HZ (430mA Only)
D = 220V 50HZ¹
E = 12V DC
F = 24V DC
H = 347V 60HZ
U = 120 thru 277V 50/60HZ

5

TYPE LENS

C = Clear

6

OPTIONS¹

F = Individually Fused²
R = Radio Interference Filter
EM = Emergency Battery Backup³
HL = Hi-Lumen Ballast (T8 Only)

¹Consult factory for pricing.

²Fuse option not available for marine listed fixtures.

³Not available in 2 ft. H.O.

Catalog logic is for explaining catalog number structure only. Not all combinations are possible; consult factory for catalog numbers not listed in charts.

FLUORESCENT

IDP Series

UL 1598A Marine Inside Drip Proof • CSA • Extruded Aluminum Housing and Lens Frame • Damp Locations • Dust Tight



- UL 1598A Marine Outside Type
- CSA Certified
- Available in 265, 425, 430 or 800mA
- Extruded aluminum fixture body and lens frame
- Mounting brackets included to allow for flexibility of installation locations
- Simple three step installation minimizes fixture damage during construction
- Available in AC or DC voltages

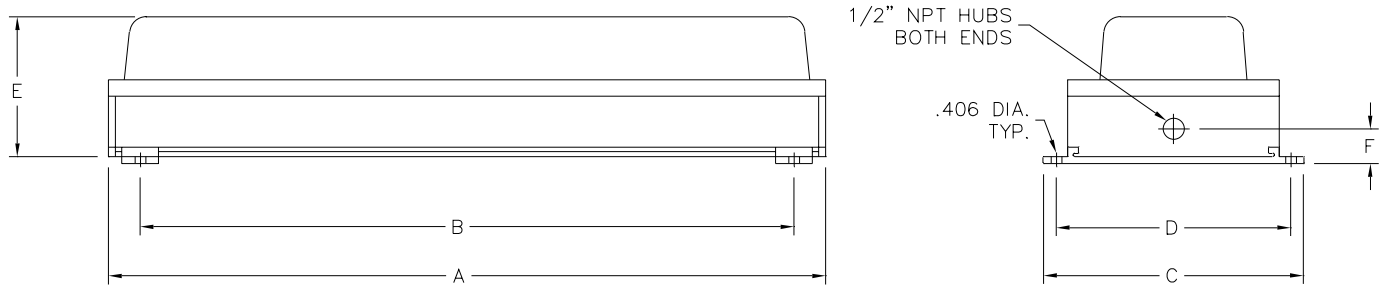
(Lamps not included)

	Description	Voltage	Catalog Number
Four Foot Fixture	32 Watt, Rapid Start Medium Bi-Pin, T8 265mA Lamps, 48"	120-277V 50/60HZ	IDP265-4-U-C
	34 Watt, Rapid Start Medium Bi-Pin, T12 430mA Lamps, 48"	120V/60HZ	IDP430-4-A-C
		236V/60HZ	IDP430-4-B-C
		277V/60HZ	IDP430-4-C-C
		220V/50HZ	IDP430-4-D-C
	40 Watt, Instant Start, Slimline, T12, 48"	12V DC	IDP425-4-E-C
24V DC		IDP425-4-F-C	
60 Watt, Rapid Start, High Output T12, Recessed Double Contact, 800mA Lamps	120-277V 50/60HZ	IDP800-4-U-C	
Two Foot Fixture	17 Watt, Rapid Start, Medium Bi-Pin, T8, 265mA Lamps, 24"	120-277V 50/60HZ	IDP265-2-U-C
	20 Watt, Rapid Start, Medium Bi-Pin, 430mA Lamps, 24"	120V/60HZ	IDP430-2-A-C
		236V/60HZ	IDP430-2-B-C
		277V/60HZ	IDP430-2-C-C
	20 Watt, Instant Start, Slimline, Single Pin 425mA Lamps, 24"	12V DC	IDP425-2-E-C
24V DC		IDP425-2-F-C	
35 Watt, Rapid Start, High Output, Recessed Double Contact, 800mA Lamps, 24"	120-277V 50/60HZ	IDP800-2-U-C	

FLUORESCENT IDP Series

UL 1598A Marine Inside Drip Proof • CSA • Extruded Aluminum Housing and Lens Frame • Lamp Locations • Dust Tight

Fixture Dimensions (inches)



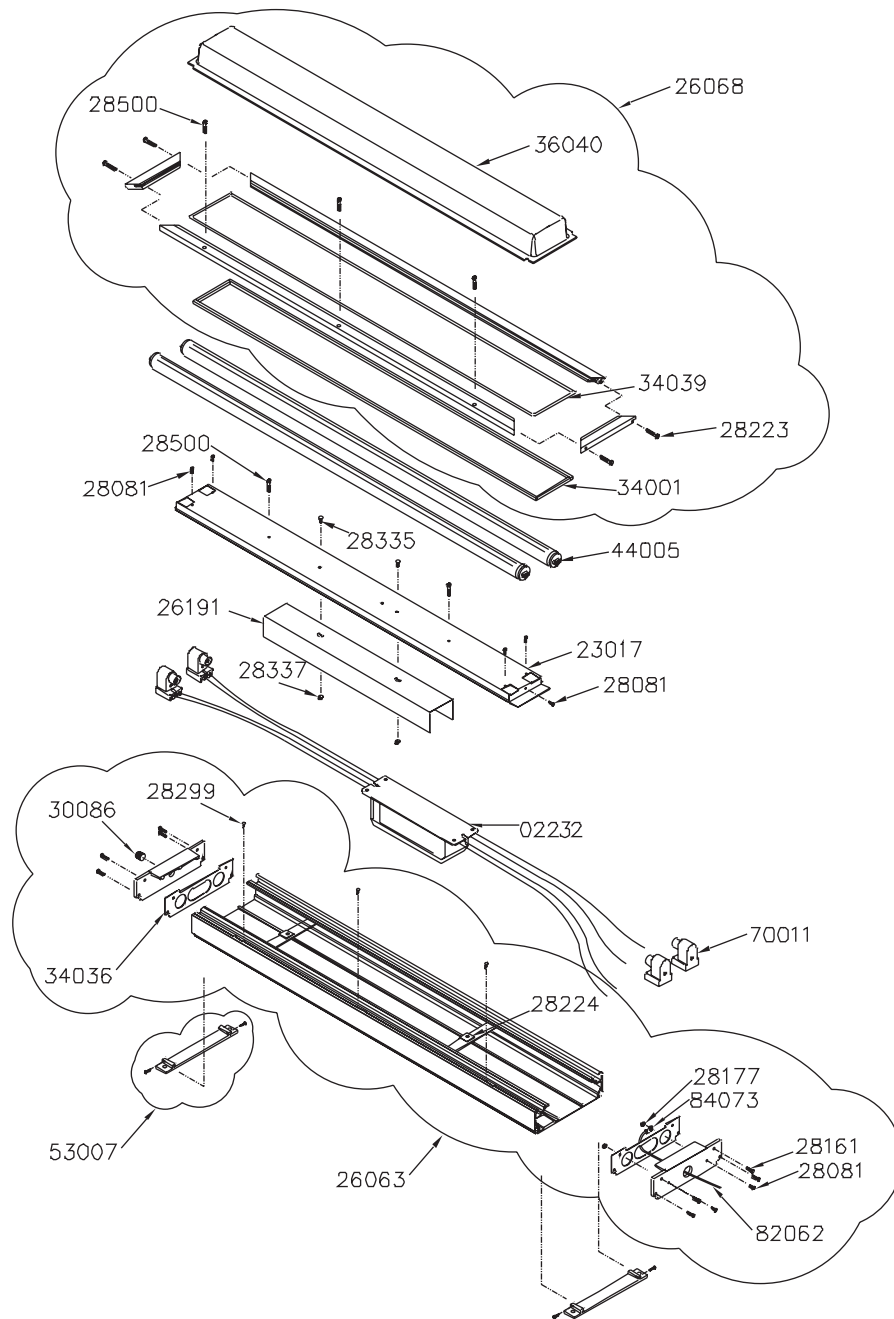
Nominal Fixture Length	A	B	C	D	E	F	Boxed Weight	Shipping Volume (Boxed Fixture)
2 Lamp, 4 ft. (40 & 60 Watt)	51.13	48.63	9.88	8.88	5.82	1.31	38 lbs.	2.0 cu. ft.
2 Lamp, 2 ft. (20 & 35 Watt)	27.13	24.63	9.88	8.88	5.82	1.31	27 lbs.	1.07 cu. ft.

FLUORESCENT IDP Series

UL 1598A Marine Inside Drip Proof • CSA • Extruded Aluminum Housing and Lens Frame • Damp Locations • Dust Tight

Parts List

CATALOG NUMBER IDP800-4-U-C



- Note: 1. Above drawing and part numbers are for fixture catalog no. IDP800-4-U-C.
 2. Parts may vary for other models. Contact factory if parts for other models are required.
 3. Ballasts and lamps are listed on separate pages.
 4. Lamps not included.

FLUORESCENT

IDP Series

UL 1598A Marine Inside Drip Proof • CSA • Extruded Aluminum Housing and Lens Frame • Damp Locations • Dust Tight

Parts List

Part No.	Description	Weight
02232	BLST FLUOR 800MA 120-277V 50/60HZ	10.2
23017	REFLECTOR IDP 460	0.2
26063	HSG ASSY IDP 460	5.0
26068	FRAME LENS ASSY IDP-4	8.0
26191	RADIATOR IDP460	0.6
28081	SCREW PAN	0.1
28094	SCREW PAN	0.1
28161	SCREW PAN	0.1
28177	NUT HEX	0.1
28223	SCREW PAN	0.1
28224	NUT TINMAN	0.1
28228	WASHER FLAT	0.1
28238	WASHER SPLIT LOCK	0.1
28289	NUT HEX	0.1
28299	SCREW DRIVE	0.1
28335	SCREW RDH CARRIAGE	0.1
28337	NUT HEX TINMAN	0.1
28500	SCREW SLT HEX	0.1
30086	PLUG PIPE	0.1
34001	GSKT NEO	0.1
34036	GSKT END CAP IDP	0.1
34039	GSKT NEO 3/16 DIA CLOSE	0.1
36040	LENS CLEAR IDP	2.0
44005	LAMP FLUOR 800MA HO 4FT	0.5
53007	MOUNTING KIT ASSY IDP	0.8
70011	LPHLDR FLUOR REC DOUB T	0.2
82062	WIRE U/L-CSA GRN 16AWG	0.1
84073	LUG RNG N/INS 16-14AWG	0.1

NOTES