

AFL FLOODLIGHT SERIES

Flood Lighting for Hazardous Locations

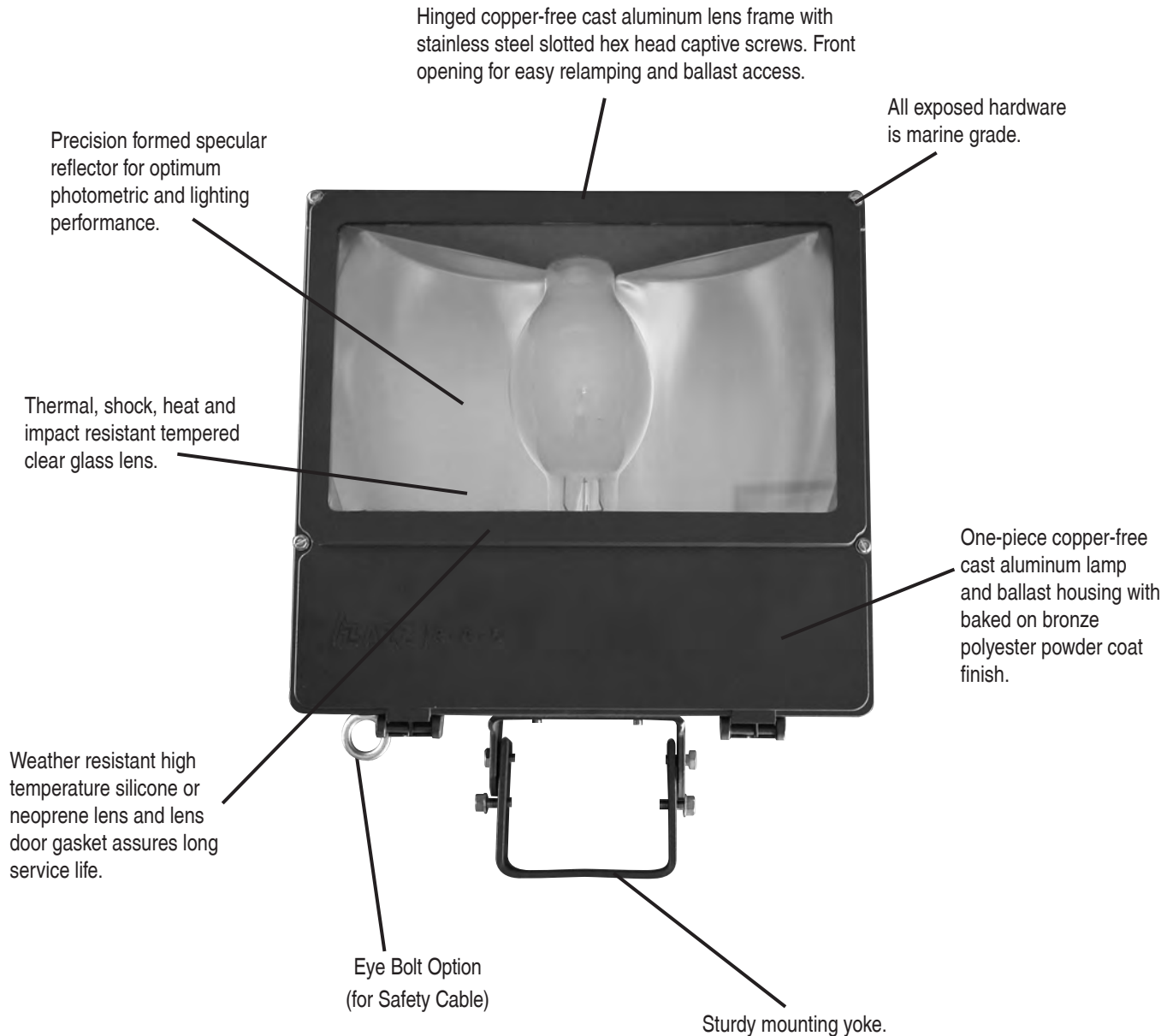
- Class I, Division 2, Groups A, B, C & D
- UL 844 Hazardous Locations
- UL 1598A Marine Outside Type
- Zone 2, Groups IIA, IIB & IIC
- CUL
- Cast Aluminum
- 55°C Ambient Temperature
(AFL1 series)



AZZ | R-A-L™
RIG-A-LITE

AFL FLOODLIGHT SERIES

Flood Lighting for Hazardous Locations



AFL Series

Hazardous Locations • Cast Aluminum • Class I, Division 2 • UL 1598A, 844 • CUL • Wet Locations

Catalog Number Logic

AFL1 40-S-04-T-66-XX

①

②

③

④

⑤

⑥

⑦

①

BASIC SERIES

AFL Floodlight Series

- (i) AFL1 = 70-400 Watt Metal Halide and High Pressure Sodium Class I, Division 2, Groups A, B, C & D Zone 2, Groups IIA, IIB and IIC UL 844 Hazardous Locations UL 1598A Marine Outside Type CUL

- (ii) AFL2 = 875W & 1000W Metal Halide UL 1598A Marine Outside Type

- (iii) AFL5 = 1000W High Pressure Sodium Class I, Division 2, Groups A, B, C & D UL 844 Hazardous Locations UL 1598A Marine Outside Type

②

LAMP CURRENT/LAMP WATTAGE

- 07 = 70 Watt
- 10 = 100 Watt
- 15 = 150 Watt
- 17 = 175 Watt
- 25 = 250 Watt
- 32 = 320 Watt
- 35 = 350 Watt
- 40 = 400 Watt
- 875 = 875 Watt
- 100 = 1000 Watt

③

LAMP TYPE (MOGUL BASE)

- S = High Pressure Sodium (70, 100, 150, 250 & 400 Watt)
- H = Metal Halide (175, 250, 320, 350, 400 & 1000 Watt)

④

BALLAST VOLTAGE

- 04 = Multi-Tap (120, 208, 220, 240 & 277V)
- 12 = 120V 60HZ
- 20 = 208V 60HZ
- 22 = 220V 50HZ
- 24 = 240V 60HZ
- 27 = 277V 60HZ
- 34 = 347V 60HZ
- 48 = 480V 60HZ

⑤

MOUNTING

- T = Trunnion

⑥

BEAM SPREAD

- 76 = 7V X 6H
- 67 = 5V X 7H
- 66 = 6V X 6H
- 55 = 5V X 5H

⑦

OPTIONS¹

- Q = Auxiliary Quartz Relay
- QTD = Auxiliary Quartz Relay Hot and Cold Start
- PC = Photo Cell³
- V = Visor
- LS = Lamp Support
- FB1 = Single Fuse Block^{2,3,4}
- FB2 = Double Fuse Block^{2,3,5}
- PL = Clear Acrylic Shield
- SMS = Shock Mounted Socket
- SC = Safety Cable (Eye Bolt Included)
- EB = Eye Bolt Only
- PS = Pulse Start⁶
- R = Instant Restrike (HPS only up to 150W)

¹ Consult factory for pricing.

² Limited to 175W Maximum HID Lamp

³ Not suitable for hazardous locations.

⁴ Not available with multi-tap ballast unless incoming voltage is specified.

When installed, one fuse block/fuse holder is provided for 120, 277V. Fuse not included. Option not available for marine listed fixtures.

⁵ Not available with multi-tap ballast unless incoming voltage is specified.

When installed, two fuse blocks/fuse holders are provided for 208, 220, 240, 347 and 480V. Fuse not included. Option not available for marine listed fixtures.

⁶ Use universal or appropriate position oriented lamp.

METAL HALIDE • HIGH PRESSURE SODIUM

AFL Series

Hazardous Locations • Cast Aluminum • Class I, Division 2 • UL 1598A, 844 • CUL • Wet Locations



- Class I, Division 2, Groups A,B,C and D (See below for suitability as designated for ①,② or ③)
- UL 844 Hazardous Locations
- UL 1598A Marine Outside Type
- Zone 2, Groups IIA, IIB and IIC
- One-piece copper-free cast aluminum lamp and ballast housing with baked on bronze polyester powder coat finish
- Precision formed specular finished reflector for optimum photometric performance
- Thermal shock, heat and impact-resistant tempered glass lens
- Marine grade hardware
- 55°C Ambient Temperature (AFL1 Series)

(Lamps not included)

Fixture Type	Dimensions Figure Number	Lamp Wattage	Voltage	Catalog Number	Shipping Weight (Lbs.)
High Pressure Sodium	1	70	Multi-Tap*	AFL07-S-04-T-66 ①②③	34.0
			480V/60HZ	AFL07-S-48-T-66 ①②③	34.0
		100	Multi-Tap*	AFL110-S-04-T-66 ①②③	34.0
			480V/60HZ	AFL110-S-48-T-66 ①②③	34.0
		150	Multi-Tap*	AFL115-S-04-T-66 ①②③	34.0
			480V/60HZ	AFL115-S-48-T-66 ①②③	34.0
	250	Multi-Tap*	AFL125-S-04-T-66 ①②③	37.0	
		480V/60HZ	AFL125-S-48-T-66 ①②③	36.5	
	400	Multi-Tap*	AFL140-S-04-T-66 ①②③	39.5	
		480V/60HZ	AFL140-S-48-T-66 ①②③	39.0	
	5	1000	Multi-Tap*	AFL5100-S-04-T-76 ①②	65.5
			480V/60HZ	AFL5100-S-48-T-76 ①②	65.0
Metal Halide	1	175	Multi-Tap*	AFL117-H-04-T-66-PS ①②	35.0
			480V/60HZ	AFL117-H-48-T-66-PS ①②	35.0
		250	Multi-Tap*	AFL125-H-04-T-66-PS ①②③	35.0
			480V/60HZ	AFL125-H-48-T-66-PS ①②③	34.0
		320	Multi-Tap*	AFL132-H-04-T-66-PS ①②③	39.5
			480V/60HZ	AFL132-H-48-T-66-PS ①②③	39.0
	350	Multi-Tap*	AFL235-H-04-T-66 ①②③	36.5	
		480V/60HZ	AFL235-H-48-T-66 ①②③	36.5	
	400	Multi-Tap*	AFL240-H-04-T-66 ①②③	36.5	
		480V/60HZ	AFL240-H-48-T-66 ①②③	36.5	
	5	1000	Multi-Tap*	AFL2100-H-04-T-66 ②	77.0
			480V/60HZ	AFL2100-H-48-T-66 ②	77.0

*120/208/240/277V 60HZ
 ① Class I, Division 2, UL 844 Listed
 ② UL 1598A Listed
 ③ CUL

AFL Series

Hazardous Locations • Cast Aluminum • Class I, Division 2 • UL 1598A, 844 • CUL • Wet Locations

Certification Guide

	Wattage	Ambient Temperature (°C)	Operating Temperature Code		
			Metal Halide	Pulse Start Metal Halide	High Pressure Sodium
	70	40,55	-	325°C (T1)	350°C (T1)
	100	40,55	-	325°C (T1)	350°C (T1)
	150	40,55	-	325°C (T1)	350°C (T1)
AFL 1	175	40	350°C (T1)	-	350°C (T1)
	250	40	350°C (T1)	-	350°C (T1)
	250	40,55	-	325°C (T1)	350°C (T1)
	320	40,55	-	350°C (T1)	-
	350	40,55	-	350°C (T1)	-
	400	40	350°C (T1)	350°C (T1)	350°C (T1)
	400	55	-	350°C (T1)	450°C (T1)
AFL 5	1000	25	-	-	450°C (T1)

NOTE:

FLB-3 and FLB-5 fit 2 in. to 2-1/2 in. pipe size (2-3/8 in. to 2-7/8 in. O.D.)

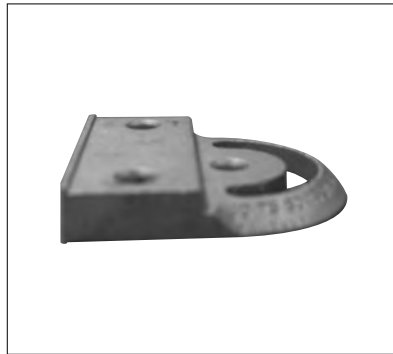
Accessories



180° YOKE

Horizontal Mounting Kit

180° Adjustment, Includes (2) 1/2 in. Bolts
 Catalog Number: FLB-2
 Shipping Weight: 1.4 lbs.



90° YOKE

Horizontal Mounting Kit

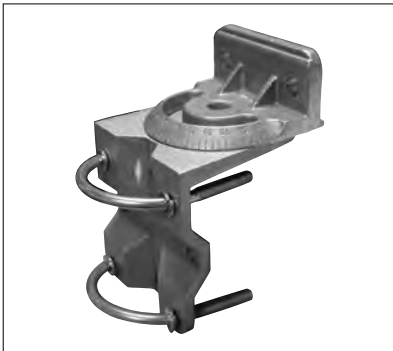
90° Adjustment, Includes (2) 1/2 in. Bolts
 Catalog Number: FLB-2-90
 Shipping Weight: 1.3 lbs.



45° YOKE

Horizontal Mounting Kit

45° Adjustment, Includes (2) 1/2 in. Bolts
 Catalog Number: FLB-2-45
 Shipping Weight: 1.5 lbs.



Wall or Pole Mounting Kit

Wall or Pole Mount, Includes (2) U-Bolts
 Catalog Number: FLB-3
 Shipping Weight: 3.6 lbs.



Pole Top Mounting Kit

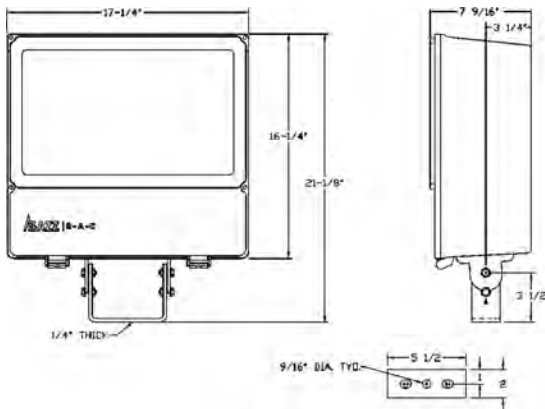
Gasket Wiring Compartment Adapts Horizontal or Vertical Mounting Yokes, Includes (3) Set Screws,
 Catalog Number: FLB-5 Shipping Weight: 3.2 lbs.

AFL Series

Hazardous Locations • Cast Aluminum • Class I, Division 2 • UL 1598A, 844 • CUL • Wet Locations

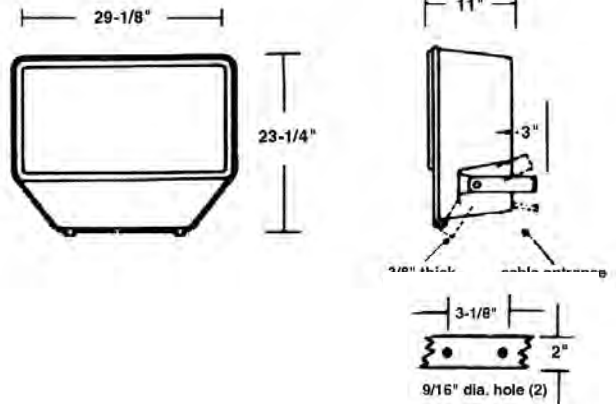
Fixture Dimensions (inches)

AFL1
FIGURE 1



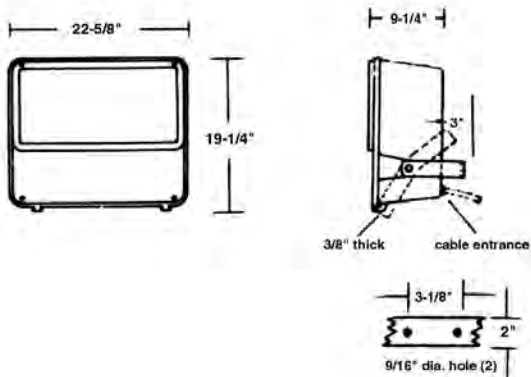
EFFECTIVE PROJECTED AREA 2.0 sq. ft.
175-400 Watt Metal Halide
70-400 High Pressure Sodium

AFL2
FIGURE 2



EFFECTIVE PROJECTED AREA 4.40 sq. ft.
1000 Watt Metal Halide

AFL5
FIGURE 3



EFFECTIVE PROJECTED AREA 3.02 sq. ft.
1000 Watt High Pressure Sodium